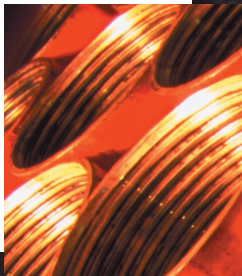




HUNTING

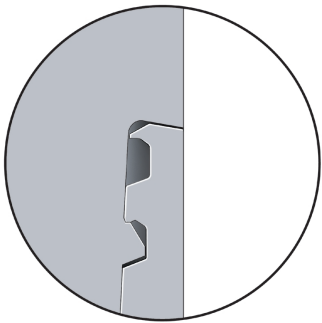
Technology That Runs Deep



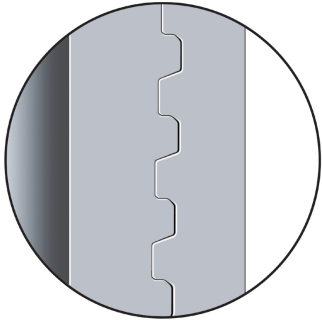
SEAL-LOCK<sup>®</sup> FLUSH

*SLF*

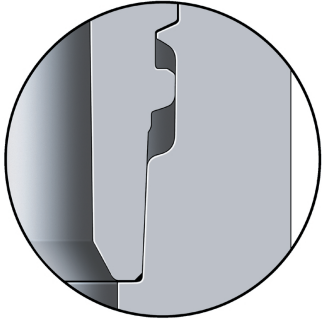
Specialty Casing and Tubing Connection



*Positive torque shoulder*



*Hooked thread design*



*Internal metal-to-metal seal*

# SEAL-LOCK FLUSH PERFORMANCE DATA

		Minimum Tensile Load (1000 Lb)						Setting Depth (Ft)					
SIZE	NOMINAL WEIGHT	K-55	L-80	N-80	T-95	P-110	Q-125	K-55	L-80	N-80	T-95	P-110	Q-125
IN.	LB/FT							SF=2.0	SF=1.7	SF=1.7	SF=1.7	SF=1.7	SF=1.7
2 <sup>7</sup> / <sub>8</sub>	6.40	N/A	82.6	86.9	91.2	108.6	117.3	N/A	6,640	6,640	7,880	9,130	10,370
3 <sup>1</sup> / <sub>2</sub>	9.20	N/A	142.6	150.1	157.6	187.6	202.6	N/A	8,020	8,020	9,530	11,030	12,530
4	11.00	N/A	169.7	178.6	187.5	223.3	241.1	N/A	8,030	8,030	9,540	11,050	12,550
	11.60	N/A	196.7	207.0	217.4	258.8	279.5	N/A	8,590	8,590	10,200	11,810	13,420
4 <sup>1</sup> / <sub>2</sub>	11.60	N/A	183.8	193.5	203.2	241.9	261.2	N/A	9,530	10,030	10,530	12,540	13,540
	13.50	N/A	227.3	239.3	251.3	299.1	323.1	N/A	10,260	10,800	11,340	13,490	14,570
	24.60	N/A	450.5	474.2	497.9	592.8	640.2	N/A	11,250	11,840	12,430	14,800	15,980
5	15.00	257.8	257.8	271.4	285.0	339.3	366.4	8,670	10,200	10,740	11,270	13,420	14,490
	18.00	328.1	328.1	345.4	362.7	431.8	466.3	9,150	10,760	11,330	11,900	14,160	15,300
	23.20	428.6	428.6	451.2	473.8	564.0	609.1	9,280	10,920	11,500	12,070	14,370	15,520
5 <sup>1</sup> / <sub>2</sub>	15.50	257.4	257.4	270.9	284.4	338.6	365.7	8,390	9,860	10,380	10,900	12,980	14,020
	17.00	308.7	308.7	324.9	341.1	406.1	438.6	9,150	10,760	11,330	11,900	14,160	15,290
	23.00	412.1	412.1	433.8	455.5	542.3	585.6	9,140	10,760	11,320	11,890	14,150	15,280
	26.00	471.4	471.4	496.2	521.0	620.3	669.9	9,230	10,860	11,430	12,000	14,290	15,430
6 <sup>5</sup> / <sub>8</sub>	28.00	488.4	488.4	514.1	539.8	642.6	694.0	8,830	10,390	10,940	11,480	13,670	14,770
7	23.00	300.7	300.7	316.5	332.3	395.6	427.3	6,640	7,820	8,230	8,640	10,290	11,110
	29.00	521.1	521.1	548.5	575.9	685.6	740.5	9,070	10,670	11,230	11,790	14,040	15,160
	32.00	599.9	599.9	631.5	663.1	789.4	852.5	9,470	11,140	11,730	12,310	14,660	15,830
	35.00	656.7	656.7	691.3	725.9	864.1	933.3	9,500	11,170	11,760	12,350	14,700	15,870
	49.50	942.1	942.1	991.7	1041.3	1239.6	1338.8	9,640	11,340	11,930	12,530	14,920	16,110
7 <sup>7</sup> / <sub>8</sub>	29.70	518.3	518.3	545.6	572.9	682.0	736.6	8,930	10,500	11,050	11,610	13,820	14,920
	33.70	599.6	599.6	631.2	662.8	789.0	852.1	9,070	10,680	11,240	11,800	14,050	15,170
	39.00	722.7	722.7	760.7	798.7	950.9	1026.9	9,500	11,170	11,760	12,350	14,700	15,880
	45.30	848.4	848.4	893.1	937.8	1116.4	1205.7	9,500	11,170	11,760	12,350	14,700	15,880
7 <sup>3</sup> / <sub>4</sub>	46.10	863.9	863.9	909.4	954.9	1136.8	1227.7	9,500	11,180	11,770	12,350	14,710	15,880
8 <sup>5</sup> / <sub>8</sub>	40.00	707.0	707.0	744.2	781.4	930.3	1004.7	9,000	10,590	11,140	11,700	13,930	15,040
9 <sup>5</sup> / <sub>8</sub>	40.00	684.9	684.9	720.9	756.9	901.1	973.2	8,790	10,350	10,890	11,440	13,610	14,700
	43.50	740.2	740.2	779.2	818.2	974.0	1051.9	8,670	10,200	10,740	11,270	13,420	14,490
	47.00	837.4	837.4	881.5	925.6	1101.9	1190.0	9,070	10,680	11,240	11,800	14,050	15,170
	53.50	955.5	955.5	1005.8	1056.1	1257.3	1357.8	9,040	10,630	11,190	11,750	13,990	15,110
10 <sup>3</sup> / <sub>4</sub>	65.70	1223.7	1223.7	1288.1	1352.5	1610.1	1738.9	9,480	11,150	11,740	12,330	14,680	15,850
11 <sup>3</sup> / <sub>4</sub>	60.00	1067.9	1067.9	1124.1	1180.3	1405.1	1517.5	9,080	10,680	11,240	11,810	14,050	15,180
	65.00	1111.5	1111.5	1170.0	1228.5	1462.5	1579.9	8,690	10,220	10,760	11,300	13,450	14,530
13 <sup>3</sup> / <sub>8</sub>	72.00	1282.9	1282.9	1350.4	1417.9	1688.0	1823.0	9,090	10,690	11,250	11,810	14,060	15,190
13 <sup>1</sup> / <sub>2</sub>	88.20	1649.2	1649.2	1736.0	1822.8	2170.0	2343.6	9,500	11,180	11,770	12,360	14,710	15,890

**Note:** Tensile strengths calculated on ultimate—K-55=95,000 PSI, L-80=95,000 PSI, N-80=100,000 PSI, T-95=105,000 PSI, P-110=125,000 PSI, Q-125=135,000 PSI.

**Corporate Headquarters** 2 Northpoint Dr., Suite 400 ■ Houston, TX 77060, U.S.A.  
281-820-3838 ■ 281-442-7382 ■ 1-800-877-2636 ■ Fax: 281-931-2450

## Hunting Sales, Service and Threading Locations

### Europe

Olieweg 10  
1951 NH Velsen-Noord  
1940 AH Beverwijk  
The Netherlands  
31-2512-29219  
Fax: 31-2512-10654

Badentoy Avenue  
Badentoy Industrial  
Park, Portlethen  
Aberdeen, Scotland AB12-4SQ  
44-1224-787000  
Fax: 44-1224-787106

Silverburn Place  
Bridge of Don  
Aberdeen Scotland AB23 8EG  
44-1224-820909  
Fax: 44-1224-823123

### Far East

Complex Dragon Industrial  
Park – Block D  
Jl. Pattimura Kabil, Batam  
Indonesia  
62-778-711930  
Fax: 62-778-711929

Jintang Road  
Dongli District, Tianjin  
People's Republic of  
China 300301  
86-22-2480-2093  
Fax: 86-22-2480-2456

34 Benoi Road  
Singapore 629901  
65-6861-6176  
Fax: 65-6861-5010

128 Gul Circle  
Jurong Singapore 629595  
65-6863-0668  
Fax: 65-6863-9196

Kaki Bukit Road 1  
Enterprise One, # 02-29  
Singapore 415934  
65-6742-7620  
Fax: 65-6742-5930

Lot No.48, Phase 5  
(Western of Dong An Road,  
Northern of Yu An Road)  
Shuo Fang Industrial Park  
New District Wuxi City  
Jiangsu Province  
People's Republic of  
China 214142  
86-510-8119-0028  
Fax: 86-510-8119-0038

### Middle East

Office 1505, JAFZA VIEW 19  
Jebel Ali Free Zone  
P.O. Box 261929  
Dubai, United Arab Emirates  
9714 8865799  
middleeast.enquiry@  
huntingplc.com

### North America

3817 Melancon Road  
Broussard, LA 70518, U.S.A.  
337-367-9296  
Fax: 337-364-1487

113 Capital Boulevard  
Houma, LA 70360, U.S.A.  
985-876-4368  
Fax: 985-876-6114

205 E. Woodlawn Ranch Road  
Houma, LA 70363, U.S.A.  
985-851-4170  
Fax: 985-868-3886

118 Thruway Park Road  
Broussard, LA 70518, U.S.A.  
337-839-8344  
Fax: 337-839-8345

6615 River Road  
Marrero, LA 70072, U.S.A.  
504-348-3011  
Fax: 504-348-3057

417A Westchester Drive  
Corpus Christi, TX 78408, U.S.A.  
361-887-2153  
Fax: 361-887-2154

16818 Ramsey Road  
Crosby, TX 77532, U.S.A.  
281-328-1400  
Fax: 281-328-1445

15830 Beaumont Highway  
Houston, TX 77049, U.S.A.  
281-456-0696  
Fax: 281-456-0699

4400 N. Sam Houston  
Pkwy West, #320  
Houston, TX 77086, U.S.A.  
281-659-3700  
Fax: 281-781-0002

1018 Rankin Road  
Houston, TX 77073, U.S.A.  
281-821-5577  
Fax: 281-821-6633

2408 W. Interstate 20  
Odessa, TX 79763, U.S.A.  
432-580-4242  
Fax: 432-580-7977

### Hunting Energy de México

Av. Los Olmos #105  
Parque Industrial El Sabinal  
Apodaca, N.L., México C.P. 66645  
52-81-8196-8700  
Fax: 52-81-8145-4505

### Hunting Composite

17720 Highway 90 East  
Houston, TX 77049, U.S.A.  
281-456-0228  
Fax: 281-456-9013

### Hunting Energy Services (Canada) Ltd.

5550 Skyline Way N.E.  
Calgary, Alberta T2E 7Z7, Canada  
403-543-4477  
Fax: 403-543-4484

2309-5A Street  
Nisku, Alberta T9E 8G6, Canada  
780-955-7799  
Fax: 780-955-8764

### Hunting (Drilling Tools)

100 Tom Stinson Drive  
Conroe, TX 77303, U.S.A.  
936-539-5545

257 Cherry Hill Drive  
Latrobe, PA 15650, U.S.A.  
724-424-9714  
Fax: 724-424-9716

1555 View Drive  
Casper, WY 82601, U.S.A.  
307-265-6550  
Fax: 307-473-1485

808 SE 84th Street  
Oklahoma City, OK 73149, U.S.A.  
405-631-1222  
Fax: 405-631-2221

1515-10 St.  
Nisku, Alberta T9E 8C5, Canada  
780-979-6799  
Fax: 780-979-0399

### Hunting Innova

8383 N. Sam Houston Pkwy  
Houston, TX 77064, U.S.A.  
281-653-5500  
Fax: 281-653-5501

### Hunting Subsea

National Coupling Co.  
1316 Staffordshire Road  
Stafford, TX 77477, U.S.A.  
281-499-2583  
Fax: 281-499-5941

## Worldwide Licensed Threading Locations

For a complete list of licensees, go to [www.huntingplc.com](http://www.huntingplc.com).