



HUNTING

HDD PRODUCT CATALOG



66-1600P
565-16"
550819



MORE THAN JUST DRILL PIPE

TABLE OF CONTENTS



DRILL PIPE	03
CONVERSIONS	08
DRIVE CHUCKS + SAVER SUBS	09
QUICK CONNECTS + ADAPTERS + COLLARS	13
TRANSMITTER HOUSINGS	17
SWIVELS	18
MUD MOTORS	19
JAW BLOCKS	21
ROD WIPERS + GREASE	22
DRILL PIPE SPECIFICATIONS + DIMENSIONS	23

TOTAL CUSTOMER SATISFACTION

At Hunting, we follow the strictest guidelines for quality control of raw materials from our heat-treating and upsetting process to threading at our Broussard, Louisiana facility. We also hold ourselves accountable by providing traceability with every piece of pipe or tooling that leaves our yard.

It's quality assurance and value you get with Hunting because our commitment to you is total customer satisfaction.

WHY HUNTING?



GLOBAL DEALER NETWORK

Our worldwide dealer network knows what it takes to get the job done. Let us connect you with the professionals in your area.



#1 PRODUCT GUARANTEE POLICY IN HDD

We stand by our product. If you aren't satisfied with our quality, we will make it right. That's our guarantee—the best you'll find in the business.



FAST DELIVERY

We've partnered with the best on land, sea, and air to get you what you need when you need it at a price that makes sense. If we have it in our warehouse, it's out the door that same day.

American Augers®, Ditch Witch®, Subsite®, and Toro® are registered trademarks owned by the Toro Company, Bloomington, MN.

Astec® is a registered trademark of Astec Industries, Chattanooga, TN.

DigiTrak® is a registered trademark of Digital Control Incorporated, Renton, WA.

Prime Drilling® is a registered trademark of Prime Drilling GmbH, Wenden, Germany.

TT Technologies™ is a trademark of TT Technologies, Inc., Aurora, IL.

Underground Magnetics® is a registered trademark of Underground Magnetics, Johnston, IA.

Universal HDD® is a registered trademark of Universal Horizontal Directional Drilling, Lake Zurich, IL.

Vermeer® is a registered trademark of Vermeer Mfg., Pella, IA.

VERMEER® DRILL PIPE

ONE-PIECE

HIWS1 IS THE ORIGINAL — SINCE 1997

Forged in Fire, HIWS1 is the original, precision drill pipe. With its superior strength and ability to endure bending loads and wear, HIWS1 is unmatched when it comes to performance and thread life. Its quick make-up, break out and double shouldered design make it the premium drill pipe connection.

FEATURES & BENEFITS

- Special I-145-grade alloy material
- Steep-tapered, deep-stabbing connection
- Fast-pitch thread for quick make up
- Double-shouldered design for added torque
- Internal and external upset to optimize strength and performance
- Conditioning of connections to assist thread compound adhesion
- Protectors applied to pin and box connections to prevent damage

 [Click to learn more about HIWS1](#)



UNMATCHED QUALITY

A job worth doing is a job worth doing well. Our team is committed to producing quality products to ensure that your job site is safe and successful. If you are unsatisfied with any of our products, we offer the best guarantee in the industry.



CONSTANT INNOVATION

Our expert team is relentless about engineering ground-breaking tools, improving materials selection, creating a smoother sales process, and delivering more personalized and attentive customer service.



CUSTOM TOOLING

Whether your job requires a modification to a tool we have in our inventory, or you need us to develop an entirely new solution, we can make it happen.



FORGED

DRILL PIPE

HIWS1 ONE-PIECE FORGED FOR VERMEER® DRILL RIGS

PART NUMBER	TUBE DIAMETER / WALL	CONNECTION	LENGTH	DRILL RIG MODEL
HI222394	1.315" / .179	HIWS1-200	6'	D6x6
HI216492	1.660" / .191	HIWS1-200	6'	D7x11, D8x12, D9x13, D9x13 S3, D10x15 S3
HI230993	1.900" / .240	HIWS1-250	10'	D16x20, D18x22, D20x22
HI221628	2.063" / .260	HIWS1-400	10'	D18x22, D20x22, D20x22 S3, D23x30 S3, D24x26
HI222276	2.375" / .254	HIWS1-600	10'	D23x30 S3, D24x40
HI296309599	2.375" / .295	HIWS1-650	10'	D36x50, D45x55
HI296312531	2.375" / .295	HIWS1-650	15'	D36x50
HI296309521	2.625" / .400	HIWS1-700	10'	D36x50, D40x55 S3
HI296309522	2.625" / .400	HIWS1-700	15'	D36x50, D40x55 S3
HI222451	2.875" / .392	HIWS1-900	10'	D60x90
HI222452	2.875" / .392	HIWS1-900	15'	D50x100, D60x90
HI222454	3.500" / .449	HIWS1-800	15'	D50x100, D55x100, D60x90, D75x100, D80x100
HI296337977	3.500" / .476	HIWS1-1000	15'	D80x120, D100x120, D100x140
HI296309520	3.500" / .476	HIWS1-1000	20'	D80x120, D100x120, D100x140

DRIVE CHUCKS + SAVER SUBS

QUICK CONNECTS ADAPTERS + COLLARS

TRANSMITTER HOUSINGS + SWIVELS

MUD MOTORS

JAW BLOCKS ROD WIPERS + GREASE

DRILL PIPE SPECS + DIMS



HXT®

[Click to learn more about HXT®](#)

- 30% increase in torque
- Up to 44% increase in flow capacity
- Best choice for air hammers / mud motors

HXT® ONE-PIECE FORGED FOR VERMEER® DRILL RIGS

PART NUMBER	TUBE DIAMETER / WALL	CONNECTION	LENGTH	DRILL RIG MODEL
HI281600	2.063" / .260	HXT-402	10'	D22x33, D24x33
HI294566	2.375" / .295	HXT-602	10'	D33x44, D36x50
HI284153	2.375" / .295	HXT-602	15'	D33x44, D36x50
HI294642	2.625" / .400	HXT-602	15'	D33x44, D36x50
HI276307	2.875" / .440	HXT-902	15'	D55x100, D75x100
HI3276376	3.500" / .449	HXT-802	20'	D80x120, D100x120
HI296100215	3.500" / .476	HXT-1002	15'	D100x140
HI296100220	3.500" / .476	HXT-1002	20'	D100x120, D100x140

FORGED

DITCH WITCH® THREAD ONE-PIECE FORGED

PART NUMBER	TUBE DIAMETER / WALL	CONNECTION	LENGTH	DRILL RIG MODEL
355-1149	1.600 / .190	1.30-5	6'	JT9, JT10
355-1005	1.819" / .244"	1.47-4	10'	JT1220
355-1106	2.060" / .295	1.94-4	10'	JT20, JT2020
355-1312	2.252" / .276"	1.76-4	10'	JT24
355-1244	2.375" / .300	2.11-4	9.8'	JT25, JT30, JT3020, JT2720M1
359-1211	2.835" / .313	2.10-4	15'	JT40
400-847	2.811" / .311"	2.59-4	14.75'	JT4020M1
355-1079	3.059" / .346"	2.46-4	15'	JT60
355-1200	3.500" / .394	3.27-4	14.75'	JT100

 [Click to learn more about HIWS1](#)

HIWS1 THREAD ONE-PIECE FORGED FOR DITCH WITCH® DRILL RIGS

PART NUMBER	TUBE DIAMETER / WALL	CONNECTION	LENGTH	DRILL RIG MODEL
HI216490	1.660" / .191	HIWS1-200	5'	JT5, JT520
HI216492	1.660" / .191	HIWS1-200	6'	JT9, JT922, JT10
HI230993	1.900" / .240	HIWS1-250	10'	JT1220
HI221628	2.063" / .260	HIWS1-400	10'	JT1220, JT20, JT2020
HI222276	2.375" / .254	HIWS1-600	10'	JT20, JT2020, JT25, JT2720M1, JT30, JT3020
HI296309522	2.625" / .400	HIWS1-700	15'	JT40
HI222452	2.875" / .392	HIWS1-900	15'	JT60
HI222454	3.500" / .449	HIWS1-800	15'	JT7020, JT8020, JT100

HXT®

- 30% increase in torque
- Up to 44% increase in flow capacity
- Best choice for air hammers

 [Click to learn more about HXT®](#)

HXT® ONE-PIECE FORGED FOR DITCH WITCH® DRILL RIGS

PART NUMBER	TUBE DIAMETER / WALL	CONNECTION	LENGTH	DRILL RIG MODEL
HI281600	2.063" / .260	HXT-402	10'	JT2020
HI294566	2.375" / .295	HXT-602	10'	JT25, JT30, JT2720M1, JT3020
HI276305	2.625" / .400	HXT-702	14.75'	JT4020M1
HI350802015	3.500" / .449	HXT-802	15'	JT7020, JT8020, JT100

AT PIPE



DRILL PIPE

DRIVE CHUCKS + SAVER SUBS

QUICK CONNECTS ADAPTERS + COLLARS

TRANSMITTER HOUSINGS + SWIVELS

MUD MOTORS

JAW BLOCKS ROD WIPERS + GREASE

DRILL PIPE SPECS + DIMS

DITCH WITCH® AT2720M1 + JT3020AT + AT30 DRILL STEM COMPONENTS

PART NUMBER	DESCRIPTION	TUBE DIAMETER / WALL	LENGTH
355-1351-01	OUTER PIPE	2.374" / .276	9.3"
355-1338-01	OUTER PIPE COBBLE	2.910" / .276	9.3"
355-1351-02	INNER ROD	NA	9.3"
400-234	COLLAR	NA	4.7"
41LZ94	COILED SPRING PIN	NA	1.5"

- Spacer for inner rod must be supplied by OEM or reuse from existing pipe.

DITCH WITCH® AT100 PIPE

PART NUMBER	TUBE DIAMETER / WALL	CONNECTION	LENGTH
355-1050-500	3.630" / .313	3.44-4	14.1'

DITCH WITCH® AT100 PIPE REPLACEMENT ITEMS

PART NUMBER	DESCRIPTION	LENGTH
355-1050-104	COLLAR (INTERNAL HEX)	5.8"
355-1050-105	INNER PIPE	14.1'
H0042	COILED SPRING PIN	0.8"

LINED

You know the value of lined drill pipe. Lined pipe reduces drilling fluids by up to 70% resulting in less waste. Additionally, you will spend less time pressuring up and more time drilling. Hunting's durable one-piece forged design eliminates joints and welds. By combining one-piece forged with lined pipe, Hunting makes the decision simple. It's the best of both worlds.



DITCH WITCH® THREAD LINED ONE-PIECE FORGED *PATENT PENDING

PART NUMBER	TUBE DIAMETER / WALL	CONNECTION	LENGTH	DRILL RIG MODEL
355-1106L	2.060" / .295	1.94-4	10'	JT20, JT2020
355-1244L	2.375" / .300	2.11-4	9.8'	JT25, JT30, JT3020, JT2720M1

HIWS1 THREAD LINED ONE-PIECE FORGED *PATENT PENDING

PART NUMBER	TUBE DIAMETER / WALL	CONNECTION	LENGTH	DRILL RIG MODEL
HI216490L	1.660" / .191	HIWS1-200	5'	TT4X, JT5, JT520, DD65
HI216492L	1.660" / .191	HIWS1-200	6'	D7x11, D8x12, D9x13, JT9, JT922, JT10, D9x13 S3, D10x15 S3

FORGED

- Your machine may have been provided with other sized drill stem. Confirm drill stem dimensions prior to ordering.

AMERICAN AUGERS®

PART NUMBER	TUBE DIAMETER / WALL	CONNECTION	LENGTH	DRILL RIG MODEL
HI296309520	3.500" / .476	HIWS1-1000	20'	DD110
HI276376	3.500" / .449	HXT-802	20'	DD110

PRIME DRILLING®

PART NUMBER	TUBE DIAMETER / WALL	CONNECTION	LENGTH	DRILL RIG MODEL
HI296100215	3.500" / .476	HXT-1002	15'	PD 50/30
HI296100220	3.500" / .476	HXT-1002	20'	PD 50/30

TORO® + ASTEC® DRILLS

PART NUMBER	TUBE DIAMETER / WALL	CONNECTION	LENGTH	DRILL RIG MODEL
HI216490	1.660" / .191	HIWS1-200	5'	DD65
HI221628	2.063" / .260	HIWS1-400	10'	DD2024, DD2226
HI222276	2.375" / .254	HIWS1-600	10'	DD3238
HI296309599	2.375" / .295	HIWS1-650	10'	DD4050

TT TECHNOLOGIES®

PART NUMBER	TUBE DIAMETER / WALL	CONNECTION	LENGTH	DRILL RIG MODEL
HI216490	1.660" / .191	HIWS1-200	5'	TT4X

UNIVERSAL HDD®

PART NUMBER	TUBE DIAMETER / WALL	CONNECTION	LENGTH	DRILL RIG MODEL
HI216492	1.660" / .191	HIWS1-200	6'	UNI 15x22
HI222276	2.375" / .254	HIWS1-600	10'	UNI 25, UNI 30x40
HI296309599	2.375" / .295	HIWS1-650	10'	UNI 36x50, UNI 40x55
HI296312531	2.375" / .295	HIWS1-650	15'	UNI 36x50, UNI 40x55
HI296309521	2.625" / .400	HIWS1-700	10'	UNI 36x50, UNI 40x55
HI296309522	2.625" / .400	HIWS1-700	15'	UNI 36x50, UNI 40x55
HI222451	2.875" / .392	HIWS1-900	10'	UNI 45 x 65, UNI 70 x 90
HI222452	2.875" / .392	HIWS1-900	15'	UNI 45 x 65, UNI 70 x 90
HI222454	3.500" / .449	HIWS1-800	15'	UNI 80 x 120
HI296337977	3.500" / .476	HIWS1-1000	15'	UNI 110 x 120
HI296309520	3.500" / .476	HIWS1-1000	20'	UNI 110 x 120

ADVANTAGE

THE HIGH QUALITY, LOW COST ALTERNATIVE

Low-cost doesn't mean low quality. Our Advantage inertia-welded drill rod has been thoroughly tested and meets all of the tolerances and quality standards set by Hunting at a very competitive price.



HIWS1 ADVANTAGE SERIES

PART NUMBER	TUBE DIAMETER / WALL	CONNECTION	LENGTH	DRILL RIG MODEL
A216492-20	1.660" / .191	HIWS1-200	6'	D7x11, D9x13, JT9, JT922, UNI 15x22
A221628-20	2.063" / .260	HIWS1-400	10'	D18x22, D20x22, D23x30, JT1220, JT2020, DD2024, DD110, DD2024, DD2226
A222276-20	2.375" / .254	HIWS1-600	10'	D23x30 S3, D24x40, JT2020, JT25, JT2720M1, JT30, JT3020, DD3238, UNI 25, UNI 30x40

DITCH WITCH® ADVANTAGE SERIES

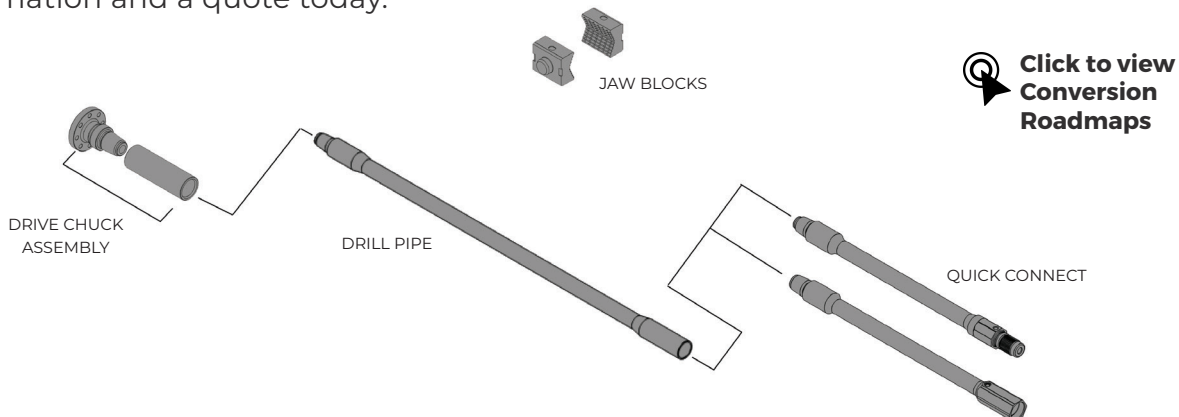
PART NUMBER	TUBE DIAMETER / WALL	CONNECTION	LENGTH	DRILL RIG MODEL
A355-1149-20	1.600" / .190	1.30-5	6'	JT9, JT10
A355-1106-20	2.060" / .295	1.94-4	10'	JT20, JT2020
A355-1244-20	2.375" / .300	2.11-4	9.8"	JT25, JT30, JT3020, JT2720M1
A355-1200-10	3.500" / .394	3.27-4	14.75"	JT100

CONVERSIONS

DID YOU KNOW?

WE CAN CONVERT ALMOST ANY DRILL TO HUNTING DRILL STEM.

We have the Roadmaps to make conversion easy, and the full line of saver subs, drive chucks, starter rods, and quick connects to make your switch seamless. Contact your dealer for more information and a quote today.



DRILL PIPE

DRIVE CHUCKS + SAVER SUBS

QUICK CONNECTS ADAPTERS + COLLARS

TRANSMITTER HOUSINGS + SWIVELS

MUD MOTORS

JAW BLOCKS ROD WIPERS + GREASE

DRILL PIPE SPECS + DIMS

DRIVE CHUCKS + SUB SAVERS

DRIVE CHUCKS + SUB SAVERS FOR VERMEER®

Little investment, big results. Your drive chuck or saver sub touches every rod, every time. Regular replacement is the single best thing you can do to ensure long thread life for your drill stem.

VERMEER® DRIVE CHUCKS

DRILL RIG MODEL	PART NUMBER	PIPE DIAMETER	THREAD	LENGTH
D7x11, D7x11A	296255343	1.66	200	6" FL-to-SH
D16x20, D16x20A, D18x22, D20x22	296255345	1.90	250	7" FL-to-SH
D18x22, D20x22	296279707	2.06	400	4.5" FL-to-SH
D24x40, D24x40A, D24x40 S2, D24x40 S3	230806001	2.38	600	6.5" FL-to-SH
D33x44, D35x50, D36x50 Series 2	284143001	2.38	602	6" FL-to-SH
D36x50 Series 2, D40x55 S3	296309649	2.38	650	6.5" FL-to-SH
D36x50 Series 2, D40x55 S3	296309506	2.62	700	6" FL-to-SH
D55x100, D75x100	284097001	2.87	902	9.4" FL-to-SH
D80x120, D100x120, D100x120 Series 2	296255395	3.50	802	9.2" FL-to-SH
D50x100, D50x100A, D55x100, D75x100, D60x90 Series 2, D60x90 S3, D80x100, D80x100 Series 2	296255476	3.50	800	9.4" FL-to-SH
D80x120, D100x120, D100x120 Series 2, D100x140, D100x140 S3	296309513	3.50	1000	16.6" FL-to-SH

VERMEER® DRIVE CHUCK ASSEMBLIES

DRILL RIG MODEL	PART NUMBER	PIPE DIAMETER	THREAD	LENGTH
D7x11, D7x11A, D7x11 Series 2, D9x13 S3	296255361	1.66	200	10" FL-to-SH
D16x20, D16x20A, D18x22, D20x22	296255364	1.90	250	11" FL-to-SH
D18x22, D20x22	296279709	2.06	400	11" FL-to-SH
D24x40, D24x40A	230980001	2.38	600	12" FL-to-SH
D24x40A	249169001	2.38	600	13.5" FL-to-SH
D33x44, D35x50, D36x50 Series 2	284142001	2.38	602	14.5" FL-to-SH
D24x40 Series 2, D24x40 S3	296273550	2.38	600	16" FL-to-SH
D24x40 Series 2, D24x40 S3	296443778	2.38	600	16.5" FL-to-SH
D36x50 Series 2, D40x55 S3	296309648	2.38	650	14.5" FL-to-SH
D24x40 Series 2, D24x40 S3	296309505	2.62	700	14.5" FL-to-SH
D40x55 S3	296443822	2.62	700	15.5" FL-to-SH
D55x100, D75x100	284094001	2.89	902	16.5" FL-to-SH
D80x120, D100x120, D100x120 Series 2	280849001	3.50	802	16.25" FL-to-SH
D50x100, D50x100A, D55x100, D75x100, D60x90 Series 2, D60x90 S3, D80x100, D80x100 Series 2	296255475	3.50	800	16.4" FL-to-SH
D80x120, D100x120, D100x120 Series 2, D100x140, D100x140 S3	296309516	3.50	1000	20.1" FL-to-SH



DRILL PIPE

DRIVE CHUCKS
+ SAVER SUBS

QUICK CONNECTS
ADAPTERS + COLLARS

TRANSMITTER
HOUSINGS + SWIVELS

MUD MOTORS

JAW BLOCKS
ROD WIPERS + GREASE

DRILL PIPE
SPECS + DIMS

VERMEER® SUB SAVERS

DRILL RIG MODEL	PART NUMBER	PIPE DIAMETER	THREAD	LENGTH
D7x11, D7x11A, D10x15	296255351	1.66	200	4" SH-to-SH
D6x6, D7x11 S2, D9x13 SII, D9x13 S3, D10x14, D10x15	296276507	1.66	200	5" SH-to-SH
D16x20, D16x20A, D18x22, D20x22	296255352	1.90	250	4" SH-to-SH
D16x20 SII, D20x22 S3	296291966	1.90	250	10.1" SH-to-SH
D18x22, D20x22	296279708	2.06	400	6.5" SH-to-SH
D20x22 SII, D20x22 S3, D23x30 S3	296281195	2.06	400	10.1" SH-to-SH
D24x40, D24x40A	230945001	2.37	600	5.5" SH-to-SH
D24x40A	249166001	2.37	600	7" SH-to-SH
D24x40 Series 2	276323001	2.37	600	9.5" SH-to-SH
D24x40 S3	296443760	2.37	600	10" SH-to-SH
D23x30 S3	296409414	2.37	600	10.1" SH-to-SH
D33x44, D35x50, D36x50 Series 2	284144001	2.37	602	8.5" SH-to-SH
D36x50 Series 2, D40x55 S3	296309650	2.37	650	8" SH-to-SH
D36x50 Series 2, D40x55 S3	296309507	2.62	700	8.5" SH-to-SH
D40x55 S3	296443821	2.62	700	9.5" SH-to-SH
D55x100, D75x100	284098001	2.87	902	7" SH-to-SH
D60x90, Series 2 & S3	284098001	2.87	900	8.7" SH-to-SH
D80x120, D100x120, D100x120 Series 2	284098001	3.50	802	7" SH-to-SH
D50x100, D50x100A, D75x100, D60x90 Series 2, D60x90 S3, D80x100, D80x100 Series 2	284098001	3.50	800	7" SH-to-SH
D80x120, D100x120, D100x120 Series 2, D100x140, D100x140 S3	284098001	3.50	1000	7" SH-to-SH

DRIVE CHUCKS + SAVER SUBS

DRIVE CHUCKS + SAVER SUBS FOR DITCH WITCH®

DITCH WITCH® THREAD DRIVE CHUCKS

DRILL RIG MODEL	PART NUMBER	PIPE DIAMETER	THREAD	LENGTH
JT9, JT922, JT10	300-7767	1.66	1.30-5 BOX	9.9" FL-to-SH
JT1220	400-604	1.82	1.47-4 BOX	9.1" FL-to-SH
JT2020	400-905	2.06	1.94-4 BOX	11.25" FL-to-SH



**Questions?
Click for
assistance**

- Replace regularly to ensure long thread life for your drill stem.



DITCH WITCH® HIWS1 SAVER SUBS

DRILL RIG MODEL	PART NUMBER	PIPE DIAMETER	THREAD	LENGTH
JT9, JT922, JT10	300-7767-1305	1.60	200 PIN X 1.30-5 BOX	4" SH-to-SH
JT9, JT922	296255351	1.66	200 PIN X 200 BOX	4" SH-to-SH
JT9, JT922	300-7767-200PSS	1.66	200 PIN X 200 PIN	3" SH-to-SH
JT1220	400-604-250SS	1.90	400 BOX X 250 BOX	5.5" SH-to-SH
JT1220	400-604-250PSS	1.90	400 BOX X 250 PIN	3" SH-to-SH
JT1220, JT2020, JT20	P0789	2.06	400 BOX X 400 PIN	3.75" SH-to-SH
JT2020, JT20	400-905-600PSS	2.37	600 BOX X 600 PIN	5.5" SH-to-SH
JT2020, JT20	400-905-600SS	2.37	600 BOX X 600 BOX	8" SH-to-SH
JT2720M1, JT3020	400-1223-211	2.37	602 PIN X 2.11-4 BOX	8.5" SH-to-SH
JT2720M1, JT3020	400-1223-600	2.37	602 PIN X 600 BOX	8.5" SH-to-SH
JT2720M1, JT3020	400-1223-600PSS	2.37	602 PIN X 600 PIN	6" SH-to-SH
JT2720M1, JT3020	284144001	2.37	602 PIN X 602 BOX	8.5" SH-to-SH
JT4020M1	284169001	2.62	702 PIN X 702 BOX	7.9" SH-to-SH
JT4020M1	400-1134-259	2.81	702 PIN X 2.59-4 BOX	7.9" SH-to-SH
JT7020, JT8020, JT100	400-1132-3274	3.63	802 BOX X 3.27-4 BOX	14.9" SH-to-SH
JT7020, JT8020, JT100	400-1132-800SS	3.50	802 BOX X 800 BOX	14.9" SH-to-SH
JT7020, JT8020, JT100	400-1132-800PSS	3.50	802 BOX X 800 PIN	11.4" SH-to-SH
JT7020, JT8020, JT100	400-1132-802PSS	3.50	802 BOX X 802 PIN	11.4" SH-to-SH
JT7020, JT8020, JT100	400-1132-802SS	3.50	802 BOX X 802 BOX	14.9" SH-to-SH

DITCH WITCH® HIWS 1 DRIVE CHUCKS

DRILL RIG MODEL	PART NUMBER	PIPE DIAMETER	THREAD	LENGTH
JT9, JT922	300-7767-200DC	1.66	200 PIN	4" FL-to-SH
JT5, JT520	300-7827-200	1.66	200 BOX	6.5" FL-to-SH
JT9, JT922	300-7767-200	1.66	200 BOX	11" FL-to-SH
JT9, JT922	300-7767-200P	1.66	200 PIN	9" FL-to-SH
JT1220	400-604-400P	2.06	400 PIN	5.25" FL-to-SH
JT1220, JT2020, JT20	400-604-400	2.06	400 BOX	10.25" FL-to-SH
JT2020, JT20	400-905-402	2.06	402 BOX	11.25" FL-to-SH
JT2020	400-905-600DC	2.38	600 PIN	3.25" FL-to-SH
JT2020, JT20	400-905-600	2.38	600 BOX	11.25" FL-to-SH
JT2020, JT20	400-905-600P	2.38	600 PIN	8.75" FL-to-SH
JT2720M1	400-1224-602DC	2.38	602 BOX	10.9" FL-to-SH
JT2720M1	400-1229-602DC	2.38	602 BOX	10.9" FL-to-SH
JT3020	400-1223-602DC	2.38	602 BOX	19.2" FL-to-SH
JT4020M1	400-1134-702DC	2.62	702 BOX	12.7" FL-to-SH
JT7020, JT8020, JT100	400-1132-802DC	3.50	802 BOX	13" FL-to-SH
JT100	400-2115-802DC	3.50	802 BOX	14" FL-to-SH

DITCH WITCH® HIWS 1 DRIVE CHUCK ASSEMBLIES

DRILL RIG MODEL	PART NUMBER	PIPE DIAMETER	THREAD	LENGTH
JT9, JT922	300-7767-1305AS	1.60	1.30-5 BOX	9.9" FL-to-SH
JT9, JT922	300-7767-200AS	1.66	200 BOX	9.9" FL-to-SH
JT9, JT922	300-7767-200PAS	1.66	200 PIN	8.9" FL-to-SH
JT1220	400-604-250AS	1.90	250 BOX	10.75" FL-to-SH
JT1220	400-604-250PAS	1.90	250 PIN	7.75" FL-to-SH
JT1220, JT2020, JT20	400-604-400PAS	2.06	400 PIN	9" FL-to-SH
JT20, JT2020	400-905-600PAS	2.37	600 PIN	8.75" FL-to-SH
JT20, JT2020	400-905-600AS	2.37	600 BOX	11.25" FL-to-SH
JT2720M1	400-1224-600AS	2.37	600 BOX	19.3" FL-to-SH
JT2720M1	400-1224-211AS	2.37	2.11-4 BOX	19.3" FL-to-SH
JT2720M1	400-1224-600PAS	2.37	600 PIN	16.8" FL-to-SH
JT2720M1	400-1224-602AS	2.37	602 BOX (HXT)	19.3" FL-to-SH
JT2720M1	400-1229-602AS	2.37	602 BOX (HXT)	19.3" FL-to-SH
JT2720M1	400-1229-600AS	2.37	600 BOX	19.3" FL-to-SH
JT2720M1	400-1229-211AS	2.37	2.11-4 BOX	19.3" FL-to-SH
JT2720M1	400-1229-600PAS	2.37	600 PIN	16.8" FL-to-SH
JT3020	400-1223-600AS	2.37	600 BOX	27.6" FL-to-SH
JT3020	400-1223-600PAS	2.37	600 PIN	25.1" FL-to-SH
JT3020	400-1223-602AS	2.37	602 BOX (HXT)	27.6" FL-to-SH
JT4020M1	400-1134-702AS	2.62	702 BOX (HXT)	20.5" FL-to-SH
JT4020M1	400-1134-259AS	2.81	2.59-4 BOX	20.5" FL-to-SH
JT7020, JT8020, JT100	400-1132-800PAS	3.50	800 PIN	20.8" FL-to-SH
JT7020, JT8020, JT100	400-2115-800PAS	3.50	800 PIN	20.8" FL-to-SH
JT7020, JT8020, JT100	400-1132-800AS	3.50	800 BOX	24.3" FL-to-SH
JT7020, JT8020, JT100	400-2115-800AS	3.50	800 BOX	25.3" FL-to-SH
JT7020, JT8020, JT100	400-1132-3274AS	3.63	3.27-4 BOX	24.3" FL-to-SH
JT7020, JT8020, JT100	400-2115-3274AS	3.63	3.27-4 BOX	25.3" FL-to-SH
JT7020, JT8020, JT100	400-1132-802AS	3.50	802 BOX (HXT)	24.3" FL-to-SH
JT7020, JT8020, JT100	400-2115-802AS	3.50	802 BOX (HXT)	25.3" FL-to-SH
JT7020, JT8020, JT100	400-1132-802PAS	3.50	802 PIN (HXT)	20.8" FL-to-SH
JT7020, JT8020, JT100	400-2115-802PAS	3.50	802 PIN (HXT)	20.8" FL-to-SH

DRILL PIPE

DRIVE CHUCKS
+ SAWER SUBS

QUICK CONNECTS
ADAPTERS + COLLARS

TRANSMITTER
HOUSINGS + SWIVELS

MUD MOTORS

JAW BLOCKS
ROD WIPERS + GREASE

DRILL PIPE
SPECS + DIMS

QUICK CONNECTS + ADAPTERS + COLLARS

1 TURN!

HX-1TRN®



The HX-1TRN® saves time, provides for a safer work environment, and is designed to be compatible with threads on every downhole tool you have in the box.

“WE HAVE BEEN EXCEPTIONALLY HAPPY WITH THE HX-1TRN® SYSTEM. THE QUALITY IS UNRIVALED.”

**—HEATH HOUSE
PRESIDENT
CRITTCO CABLE & FIBER, INC.**



HX-ITRN[®] QUICK CONNECT SYSTEM

THERE'S A BETTER SOLUTION WITH JUST 1 TURN!

The revolutionary HX-ITRN[®] quick connect requires just a single, 360-degree rotation to fully connect or disconnect from your tooling. With its patented Quad-Lead design and negative load flank, the Hunting HX-ITRN[®] provides a thread pattern with a lead every ninety degrees, so you have four places to start threading. While most competitive quick connect products take from 4 to 15 rotations to connect the tools fully, the HX-ITRN[®] just takes one.

STARTER RODS FOR VERMEER[®]

PART NUMBER	HX SERIES THREAD	DRILL PIPE THREAD	OVERALL LENGTH
H404250	H404	250	21.2"
H404400	H404	400	21.2"
H404400XL	H404	400	26.0"
H404600	H404	600	21.2"
H404602	H404	602 (HXT)	21.2"
H464600	H464	600	28.5"
H464602	H464	602 (HXT)	28.5"
H464650	H464	650	28.5"
H464700	H464	700	28.5"

STARTER RODS FOR DITCH WITCH[®]

PART NUMBER	HX SERIES THREAD	DRILL PIPE THREAD	SH-to-SH LENGTH
H404400DWP	H404	400 PIN	36"
H404600DWP	H404	600 PIN	36"
H404602DWP	H404	602 PIN (HXT)	36"
H404169FDWP	H404	1.69-6 PIN W/ FLATS	36"
H404194FDWP	H404	1.94-4 PIN W/ FLATS	36"
H404194DWP	H404	1.94-4 PIN	36"
H404211DWP	H404	2.11-4 PIN	36"

COLLARS

PART NUMBER	HX SERIES CONNECTION	OCTAGON SIZE	LENGTH
H26258	H404	2.625 IN	7.25"
H26258T (W/ TEETH)	H404	2.625 IN	7.25"
H30008	H464	3.000 IN	7.25"
H30008T (W/ TEETH)	H464	3.000 IN	7.25"

ADAPTERS

PART NUMBER	HX SERIES THREAD	ADAPTER THREAD	LENGTH
H4042000	H404	2.000 IF PIN	12"
H4046000	H404	600 PIN	12"
H4042375	H404	2.375 REG PIN	12"
H4042375B	H404	2.375 REG BOX	12"
H4042875	H404	2.875 REG PIN	12"
H4041944	H404	1.94-4 PIN	12"
H4041944B	H404	1.94-4 BOX	10"
H4042114	H404	2.11-4 PIN	12"
H4042125W	H404	2.125 LPT BOX WELD OVER	12"
H4040000W	H404	WELD PIN	10"
H4043000	H404	3.00 ROTOLOCK BOX	11"
H4043500	H404	3.50 ROTOLOCK BOX	11"
H4643500	H464	3.50 ROTOLOCK BOX	12"
H4646000	H464	600 PIN	13.5"
H4642375	H464	2.375 REG PIN	13.5"
H4642875	H464	2.875 REG PIN	13.5"
H4642875IF	H464	2.875 IF PIN	13.5"
H4642594	H464	2.59-4 PIN	13.5"
H4642125W	H464	2.125 LPT BOX WELD OVER	13.5"
H4640000W	H464	WELD PIN	11"

- For reamers greater than 8 inches we recommend H464 connections.



Click to Watch
HX-ITRN[®] Video

H-SERIES VERMEER® QF COMPATIBLE

STARTER RODS

PART NUMBER	H SERIES THREAD	DRILL PIPE THREAD	LENGTH
H300200	H300	200	21.2"
H400250	H400	250	21.2"
H400400	H400	400	21.2"
H400400XL	H400	400	26.0"
H400600	H400	600	21.2"
H400602	H400	602 (HXT)	21.2"
H400650	H400	650	21.2"
H460600	H460	600	28.5"
H460602	H460	602 (HXT)	28.5"
H460650	H460	650	28.5"
H460700	H460	700	28.5"

ADAPTERS

PART NUMBER	H SERIES THREAD	ADAPTER THREAD	LENGTH
H3002000	H300	2.000 IF PIN	9.5"
H3002375	H300	2.375 REG PIN	10.5"
H3006000	H300	600 PIN	10.5"
H4002000	H400	2.000 IF PIN	12.0"
H4002375	H400	2.375 REG PIN	12.0"
H4006000	H400	600 PIN	12.0"
H4602375	H460	2.375 REG	13.0"
H4602875	H460	2.875 REG	13.5"
H4606000	H460	600 PIN	13.0"

- For reamers greater than 8 inches we recommend H460 connections.

COLLARS

PART NUMBER	H SERIES CONNECTION	OCTAGON SIZE	LENGTH
H21308	H300	2.130 IN	4.50"
H21308T (W/ TEETH)	H300	2.130 IN	4.50"
H26258	H400	2.625 IN	7.25"
H26258T (W/ TEETH)	H400	2.625 IN	7.25"
H30008	H460	3.000 IN	7.25"
H30008T (W/ TEETH)	H460	3.000 IN	7.25"



LPT

- Hunting's LPT quick connects are specifically designed to fit your Vermeer® rig.

VERMEER® LP HEX STARTER RODS

PART NUMBER	SIZE	THREAD	OVERALL LENGTH
276261001	1.625 LPT	200	20"
240895001	1.625 LPT	250	20"
234840001	2.125 LPT	250	20"
250658001	2.125 LPT	400	21.2"
250658400	2.125 LPT	400	26.0"
234826001	2.125 LPT	600	21.2"
284148001	2.125 LPT	602 (HXT)	21.7"
296309646	2.125 LPT	650	21.1"
296321280	2.125 LPT	700	21.1"

ADAPTERS

PART NUMBER	LPT THREAD	ADAPTER THREAD	LENGTH
289403001	2.125 LPT PIN	2.375 REG PIN	12.0"

COLLARS

PART NUMBER	LPT CONNECTION	HEXAGON SIZE	LENGTH
H25006	2.125 LPT	2.500" HEX	7.2"
H25006T (W/ TEETH)	2.125 LPT	2.500" HEX	7.2"

DITCH WITCH® EZ CONNECTS

■ Now available! Quick Connects for your Ditch Witch® rig.



DITCH WITCH® THREAD TRANSITION SUBS

DRILL RIG MODEL	PART NUMBER	PIPE DIA / LENGTH	THREAD
JT9, JT922, JT10	400-1384	1.66 / 26.8"	1.30-5 Pin x 1.63-6M EZ2
JT1220	400-918	1.82 / 34.8"	1.47-4 Pin x 1.88-6M EZ3
JT20, JT2020	401-301	2.06 / 35.8"	1.94-4 Pin x 2.00-6M EZ2
JT25, JT30, JT3020	400-1030	2.38 / 42.0"	2.11-4 Pin x 2.25-6M EZ3

DITCH WITCH® CONVERSION TRANSITION SUBS

DRILL RIG MODEL	PART NUMBER	PIPE DIA / LENGTH	THREAD
JT5, JT520	400-1261-200	1.66 / 20.0"	200 Pin x 1.31-6M EZ2
JT9, JT922	400-1384-200	1.66 / 26.8"	200 Pin x 1.63-6M EZ2
JT1220	400-918-250	1.90 / 34.8"	250 Pin x 1.88-6M EZ3
JT1220, JT2020	400-918-400	2.06 / 34.8"	400 Pin x 1.88-6M EZ3
JT1220, JT2020	401-301-400	2.06 / 35.8"	400 Pin x 2.00-6M EZ2
JT2020	401-301-402	2.06 / 35.8"	402 Pin x 2.00-6M EZ2
JT2020	401-301-600	2.38 / 35.8"	600 Pin x 2.00-6M EZ2
JT25, JT30, JT3020	400-1030-600	2.38 / 42.0"	600 Pin x 2.25-6M EZ3
JT25, JT30, JT3020	400-1030-602	2.38 / 42.0"	602 Pin x 2.25-6M EZ3
JT4020M1	400-095-702	2.62 / 42.0"	702 Pin x 2.63-6M EZ2

ADAPTERS

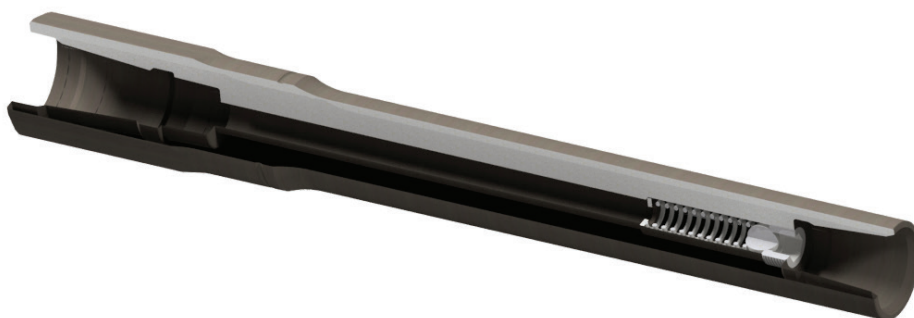
PART NUMBER	EZ CONNECTION	ADAPTER THREAD	LENGTH
HD163200EZ2	1.63-6M EZ2	2.000 IF PIN	6.5"
HD188200EZ3	1.88-6M EZ3	2.000 IF PIN	7.0"
HD188238EZ3	1.88-6M EZ3	2.375 REG PIN	7.0"
HD200200EZ2	2.00-6M EZ2	2.000 IF PIN	7.0"
HD200238EZ2	2.00-6M EZ2	2.375 REG PIN	7.5"
HD225238EZ3	2.25-6M EZ3	2.375 REG PIN	9.0"

COLLARS

PART NUMBER	EZ CONNECTION	OCTAGON SIZE	LENGTH
H156EZ2	1.31-6M EZ2	1.560 IN	3.0"
H200EZ2	1.63-6M EZ2	2.000 IN	4.1"
H225EZ3	1.88-6M EZ3	2.250 IN	5.0"
H250EZ2	2.00-6M EZ2	2.500 IN	5.3"
H275EZ3	2.25-6M EZ3	3.750 IN	6.5"

INTERNAL CHECK VALVE

■ Internal check valves can be added to most Vermeer® starter rods. Consult your dealer for details.



Questions?
Click for
assistance

TRANSMITTER HOUSINGS

TOUGH ENOUGH TO KEEP YOUR ELECTRONICS SAFE

Unmatched quality is what we're known for. Whether it's our slant-face housings with standard bolt-on or premium drop pin lids, Hunting gives you the best protection available for your HDD transmitters. These ultra-durable transmitter housings are designed and built with high-wear materials for a long-lasting component that withstands the toughest of terrains.

VERMEER® TRANSMITTER HOUSINGS SIDE-LOAD FOR USE WITH DIGITRAK® SONDES

DRILL RIG THRUST	DIAMETER	THREAD	BOLT PATTERN	STANDARD BOLT-ON LID	PREMIUM DROP PIN LID
5,000-20,000 lb 22.2-89.9kN	2.75" 70 mm	2.000" IF	VER 6, 1/2" Bolt	VDH2752000IFST	VDH2752000IFDP
20,000-24,000 lb 89.9-106.8kN	3.00" 76 mm	2.375" REG	VER 6, 1/2" Bolt	VDH300238REGST	VDH300238REGDP
20,000-40,000 lb 89.9-177.9 kN	3.25" 83 mm	2.375" REG	VER 6, 1/2" Bolt	VDH325238REGST	VDH325238REGDP

DITCH WITCH® TRANSMITTER HOUSINGS FOR USE WITH SUBSITE® BEACONS

DRILL RIG THRUST	DIAMETER	THREAD	BOLT PATTERN	STANDARD BOLT-ON LID	PREMIUM DROP PIN LID
5,000-20,000 lb 22.2-89.9kN	2.75" 70 mm	2.000" IF	DW 5, 12 mm Bolt	DWDH2752000IFST	DWDH2752000IFDP
20,000-24,000 lb 89.9-106.8kN	3.00" 76 mm	2.375" REG	DW 5, 12 mm Bolt	DWDH300238REGST	DWDH300238REGDP
20,000-40,000 lb 89.9-177.9 kN	3.25" 83 mm	2.375" REG	DW 6, 16 mm Bolt	DWDH325238REGST6	DWDH325238REGDP6

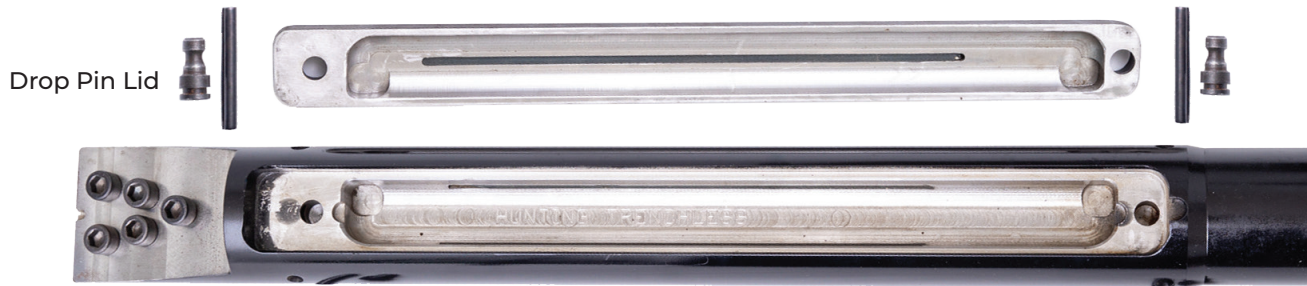
REPLACEMENT PARTS

PART NUMBER	DESCRIPTION
H0045	1/2" x 13 x 3/4" BOLT (3 REQUIRED)
H0046	3/8" x 16 x 3/4" SAFETY BOLT (1 REQUIRED)
DHDP	DROP PIN (2 REQUIRED)
41LW95	3/8" x 2-1/2" COILED PIN (2 REQUIRED)
41LW98	3/8" x 3" COILED PIN (2 REQUIRED)
H86B	86B ISOLATOR SET (NOT INCLUDED IN DITCH WITCH® HOUSINGS)
N1250	NOZZLE 1/8" (1/4" NPT)



**Questions?
Click for
assistance**

PREMIUM



STANDARD



SWIVELS

Hunting's Clevis X Clevis swivels with greaseable bearings are made to last and ensure a successful pullback every time.

Fitted with grease zerk for easier lubrication



PULLBACK CAPACITY	DIAMETER	PART NUMBER
10,000 lb 44.5 kN	2.00" 51 mm	SW10000CC
20,000 lb 89 kN	3.00" 76 mm	SW20000CC

DRILL PIPE
 DRIVE CHUCKS + SAWER SUBS
 QUICK CONNECTS ADAPTERS + COLLARS
 TRANSMITTER HOUSINGS + SWIVELS
 MUD MOTORS
 JAW BLOCKS
 ROD WIPERS + GREASE
 DRILL PIPE SPECS + DIMS

MUD MOTORS

WHEN THE GROUND GETS TOUGH, HUNTING MUD MOTORS POWER THROUGH

The Hunting M-Series Mud Motors incorporate SWB™ (Survey While Boring) technology that significantly improves your ability to steer by locating the sonde housing into the bearing housing just 3 feet behind the bit. Hunting offers the lowest flow, high torque mud motor in the industry.

M SERIES MUD MOTOR WITH UP-FRONT WALK-OVER SYSTEM TRANSMITTER

MUD MOTOR SIZE	BIT BOX	BIT-TO-TRANSMITTER / BIT-TO-BEND	MUD FLOW	RPM	MAX TORQUE (STALL)	TRANSMITTER SIZE
M400 4.00 IN	2.875" REG	18 INCH / 52 INCH	50-100 GPM 2.25 REV/GAL	112-225	1,090 FT-LBS @800 PSI ΔP	15" X 0.91"
M575 5.75 IN	4.5" REG	30 INCH / 82 INCH	80-160 GPM 1.06 REV/GAL	85-170	2,600 FT-LBS @900 PSI ΔP	15" X 1.25"; 19" X 1.25"
M675 6.75 IN	4.5" REG	31 INCH / 96 INCH	200-600 GPM 0.28 REV/GAL	56-168	6,660 FT-LBS @680 PSI ΔP	15" X 1.25"; 19" X 1.25"
M800 8.00 IN	6.563" REG	39 INCH / 111 INCH	200-600 GPM 0.17 REV/GAL	34-102	11,246 FT-LBS @675 PSI ΔP	18" X 1.43"; 19" X 1.25"

MUD LUBE MOTORS – CLASSIC MUD MOTOR FOR WIRELINE APPLICATIONS

MUD MOTOR SIZE	BIT BOX / BIT-TO-BEND	MUD FLOW	RPM	MAX TORQUE (STALL)
E500 5.00 IN	3.5" REG 53 IN	125-175 GPM 0.70 REV/GAL	88-123	2,900 FT-LBS @800 PSI ΔP
E700 7.00 IN	4.5" REG 48 IN	200-600 GPM 0.25 REV/GAL	50-150	10,000 FT-LBS @1,200 PSI ΔP



**Questions?
Click for
assistance**

SURVEY WHILE BORING™



Sonde housing 18 to 39 inches behind the bit

“IF YOU WANT A WALK OVER MOTOR THAT’S A GAME CHANGER, YOU SHOULD TRY ONE OUT. THE SONDE IS APPROXIMATELY 30” BEHIND THE BIT—MAKES FOR EASY STEERING!”

**—JOHN C. WOOD
PRESIDENT,
LOVELADY
DIRECTIONAL
DRILLING**

MUD MOTOR ACCESSORIES

PART NUMBER	DESCRIPTION	FOR MUD MOTOR
400SW19SET	UNDERGROUND MAGNETICS® ISOLATOR KIT	M400
UM2000177	ECHO ST-DH TRANSMITTER	M400
41LW98	.375" X 3" COILED SPRING PIN	M400
504R974	.375" PUNCH (INSTALL/REMOVAL TOOL)	M400
0102010CR	GREASE CARTRIDGE 14 0X (10 PER BOX)	M400
575SW19SET	DCI ISOLATOR KIT	M575 / M675
41LX12	.5" X 4" COILED SPRING PIN	M575 / M675 / M800
SF-125	.5" PUNCH (INSTALL/REMOVAL TOOL)	M575 / M675 / M800

JAW BLOCKS

VERMEER® DIRECT REPLACEMENT JAW BLOCKS

DRILL MODELS	USE WITH PIPE DIAMETER	THREAD/TOOL JOINT DIAMETER	PART NUMBER
D24X40, D24X40 SII & S3	2.38"	#600 - 2.625 DIA	H0044



DITCH WITCH® DIRECT REPLACEMENT JAW BLOCKS

DRILL MODELS	USE WITH PIPE DIAMETER	THREAD/TOOL JOINT DIAMETER	PART NUMBER
JT5, JT9, JT922, JT10, JT1220, JT20, JT2020	1.35 - 2.06	1.10-5 1.880 DIA 1.41-6 2.000 DIA 1.47-4 2.375 DIA 1.94-4 2.625 DIA	H0040
JT3020, JT25, JT30	2.38	2.11-4 2.750 DIA #602 2.750 DIA	H0043



DITCH WITCH® CONVERSION JAW BLOCKS

DRILL MODELS	USE WITH PIPE DIAMETER	THREAD/TOOL JOINT DIAMETER	PART NUMBER
JT9, JT922, JT10	1.66	#200 - 1.875 DIA	H0002
JT1220	1.90	#250 - 2.125 DIA	
JT1220	2.06	#400 - 2.250 DIA	
JT20, JT2020	1.90	#250 - 2.125 DIA	
JT20, JT2020	2.06	#400 - 2.250 DIA	
JT20, JT2020	2.38	#600 - 2.625 DIA	H0040
JT3020, JT25, JT30	2.38	#600 - 2.625 DIA	H0003
JT7020, JT8020, JT100	3.50	#800 - 3.625 DIA	H0036



**SOMETIMES LESS IS MORE...
BUT NOT WHEN IT COMES TO THE
GRIPPING POWER OF YOUR
JAW BLOCKS.**

ROD WIPERS

Hunting's Dual Split Rubber Rod Wipers are manufactured from the highest quality solid rubber and are designed as a direct replacement for your OEM wipers. Keep your drill rod clean and save time doing it—no break-out necessary!



DUAL SPLIT RUBBER ROD WIPERS

DRILL MODELS	PART NUMBER	WIPER DIAMETER	HOLE SIZE	DRILL PIPE DIAMETER RANGE
JT5, JT10, D10x15	H166183	9 IN	1.55 IN	1.66 - 1.83 IN
JT20, D20x22, D23x30	H190206	9 IN	1.75 IN	1.90 - 2.06 IN
JT25, JT30, D24x40	H237500	9 IN	2.05 IN	2.375 IN



**Questions?
Click for
assistance**

GREASE

Custom formulated for Hunting, our premium copper base grease will keep your threads running smoothly.



PERFORMANCE LUBE COPPER

GREASE TYPE	PART NUMBER	GALLONS	PALLET QUANTITY
COPPER	0304010HP	1	120
COPPER	0304020HP	2	80
COPPER	0304045HP	5	36
COPPER - ARCTIC GRADE	0304A20HP	2	80

DRILL PIPE

DRIVE CHUCKS
+ SAVER SUBS

QUICK CONNECTS
ADAPTERS + COLLARS

TRANSMITTER
HOUSINGS + SWIVELS

MUD MOTORS

JAW BLOCKS
ROD WIPERS + GREASE

DRILL PIPE
SPECS + DIMS

DRILL PIPE SPECIFICATIONS + DIMENSIONS



DITCH WITCH®	PART NUMBER	TUBE DIAMETER / WALL (IN)	TUBE DIAMETER / WALL (MM)	CONNECTION / THREAD	TOOL JOINT OD - IN (MM)	TOOL JOINT ID - IN (MM)	WEIGHT LB (KG)	LENGTH FT (M)	BEND RADIUS FT (M)	% SLOPE PER ROD	TORQUE RATING FT-LB (NM)	FITS DRILL MODEL*
	355-1149	1.650 / .191	41.9 / 4.9	1.30-5	2.000 (50.8)	.750 (19.1)	25 (11.3)	6 (1.8)	82 (25.0)	7.3%	1,100 (1491)	JT9, JT10
	355-1005	1.819 / .244	46.2 / 6.2	1.47-4	2.375 (60.3)	.625 (15.9)	54 (24.5)	10 (3.0)	120 (36.6)	8.4%	1,400 (1898)	JT1220
	355-1106	2.060 / .295	52.3 / 7.5	1.94-4	2.625 (66.7)	.650 (16.5)	68 (30.1)	10 (3.0)	109 (32.2)	9.2%	2,000 (2980)	JT20
	355-1312	2.252 / .276	57.2 / 7.0	1.76-4	2.625 (66.7)	1.13 (28.7)	68 (30.1)	10 (3.0)	117 (35.6)	8.6%	3,000 (4067)	JT24
	355-1244	2.375 / .300	60.3 / 7.6	2.11-4	2.760 (70.1)	.880 (22.4)	81 (36.7)	9.8 (3.0)	123 (37.5)	8.0%	4,000 (5420)	JT25, JT30
	359-1211	2.835 / .313	72.0 / 8.0	2.10-4	3.125 (79.4)	1.31 (33.3)	140 (63.5)	15 (4.6)	146 (44.5)	10.3%	5,500 (7457)	JT40
	400-847	2.811 / .311	71.4 / 7.9	2.59-4	3.500 (88.9)	1.25 (31.8)	148 (67.1)	14.8 (4.5)	185 (56.4)	8.0%	5,000 (6779)	JT4020M1
	355-1079	3.059 / .346	77.7 / 8.8	2.46-4	3.500 (88.9)	1.5 (38.1)	180 (81.7)	15 (4.6)	170 (51.8)	8.8%	9,000 (12202)	JT60
	355-1200	3.500 / .394	89.0 / 10	3.27-4	4.000 (102)	1.5 (38.1)	228 (103.4)	14.8 (4.5)	205 (62.5)	7.2%	12,000 (16270)	JT100

LINED	H1216490L	1.660 / .191	42.2 / 4.9	200	1.875 (47.6)	.750 (19.1)	24 (10.9)	5 (1.5)	95.5 (29.1)	5.2%	1,500 (2034)	TT4X, JT5
	H1216492L	1.660 / .191	42.2 / 4.9	200	1.875 (47.6)	.750 (19.1)	29 (13.2)	6 (1.8)	95.5 (29.1)	6.2%	1,500 (2034)	D9x13, JT10
	355-1106L	2.060 / .295	52.3 / 7.5	1.94-4	2.625 (66.7)	.650 (16.5)	73 (33.1)	10 (3.0)	109 (32.2)	9.2%	2,000 (2980)	JT20
	355-1244L	2.375 / .300	60.3 / 7.6	2.11-4	2.760 (70.1)	.880 (22.4)	86 (39.0)	9.8 (3.0)	123 (37.5)	8.0%	4,000 (5420)	JT25, JT30

AT	355-1050-500	3.630 / .313	92.2 / 8.0	3.44-4	4.500 (114.3)	2.13 (54.1)	302 (137)	14.1 (4.3)	205 (62.5)	6.9%	12,000 (16270)	AT100
	AT30	2.374 / .276	60.3 / 7.0	2.77-4	3.25 (82.6)	1.50 (38.1)	97 (44)	9.3 (2.8)	145 (44.2)	6.4%	4,000 (5420)	AT30
	AT30	2.910 / .276	73.9 / 7.0	2.77-4	3.25 (82.6)	1.50 (38.1)	114 (51.7)	9.3 (2.8)	153 (46.6)	6.1%	4,000 (5420)	AT30

ADVANTAGE	A216492	1.660 / .191	42.2 / 4.9	200	1.875 (47.6)	.750 (19.1)	26 (11.8)	6 (1.8)	99.0 (30.2)	6.1%	1,500 (2034)	D9x13, JT10
	A221628	2.063 / .260	52.4 / 6.6	400	2.250 (57.2)	.875 (22.2)	62 (28.1)	10 (3.0)	107 (32.6)	9.4%	2,700 (3661)	D23x30
	A222276	2.375 / .254	60.3 / 6.5	600	2.625 (66.7)	.875 (22.2)	76 (34.5)	10 (3.0)	123 (37.5)	8.1%	4,200 (5694)	D24x40, JT30
	A355-1149	1.600 / .190	40.6 / 4.8	1.30-5	2.000 (50.8)	.750 (19.1)	27 (12.3)	6 (1.8)	82 (25.0)	7.3%	1,100 (1491)	JT9, JT10
	A355-1106	2.060 / .295	52.3 / 7.5	1.94-4	2.625 (66.7)	.650 (16.5)	68 (30.8)	10 (3.0)	107 (32.6)	9.4%	2,200 (2983)	JT20
	A355-1244	2.375 / .300	60.3 / 7.6	2.11-4	2.760 (70.1)	.880 (22.4)	81 (36.7)	9.8 (3.0)	123 (37.5)	8.0%	4,000 (5420)	JT25, JT30
	A355-1200	3.500 / .394	89.0 / 10	3.27-4	4.000 (102)	1.50 (38.1)	228 (103.4)	14.8 (4.5)	205 (62.5)	7.2%	12,000 (16270)	JT100

API	29637111	5.000 / .362	127 / 9.2	DS50	6.625 (168.3)	3.50 (88.9)	482 (218.6)	20 (6.1)	350 (106.7)	5.7%	35,000 (47454)	D220x300
-----	----------	--------------	-----------	------	---------------	-------------	-------------	----------	-------------	------	----------------	----------

■ For reference only. Information subject to change.

DRILL PIPE SPECIFICATIONS + DIMENSIONS

	PART NUMBER	TUBE DIAMETER / WALL (IN)	TUBE DIAMETER / WALL (MM)	CONNECTION / THREAD	TOOL JOINT OD IN (MM)	TOOL JOINT ID IN (MM)	WEIGHT LB (KG)	LENGTH FT (M)	BEND RADIUS FT (M)	% SLOPE PER ROD	TORQUE RATING FT-LB (NM)	FITS DRILL MODEL*
HWS1	HI216490	1.660 / .191	42.2 / 4.9	200	1.875 (47.6)	.750 (19.1)	21 (9.5)	5 (1.5)	95.5 (29.1)	5.2%	1,500 (2034)	TT4X, JT5
	HI216492	1.660 / .191	42.2 / 4.9	200	1.875 (47.6)	.750 (19.1)	26 (11.8)	6 (1.8)	95.5 (29.1)	6.2%	1,500 (2034)	D9x13, JT10
	HI230993	1.900 / .240	48.3 / 6.1	250	2.125 (54.0)	.750 (19.1)	55 (24.9)	10 (3.0)	98.7 (30.1)	10.2%	2,300 (3118)	D20x22
	HI221628	2.063 / .260	52.4 / 6.6	400	2.250 (57.2)	.875 (22.2)	62 (28.1)	10 (3.0)	102 (31.1)	9.8%	2,700 (3661)	D23x30
	HI222276	2.375 / .254	60.3 / 6.5	600	2.625 (66.7)	.875 (22.2)	76 (34.5)	10 (3.0)	108 (32.9)	9.3%	4,200 (5694)	D24x40, JT30
	HI296309599	2.375 / .295	60.3 / 7.5	650	2.750 (69.9)	1.00 (25.4)	84 (38.1)	10 (3.0)	108 (32.9)	9.3%	5,500 (7457)	D36x40
	HI296312531*	2.375 / .295	60.3 / 7.5	650	2.750 (69.9)	1.00 (25.4)	115 (52)	15 (4.6)	108 (32.9)	13.9%	5,500 (7457)	D36x40
	HI296309521	2.625 / .400	66.7 / 10.2	700	3.100 (78.7)	1.25 (31.8)	117 (53)	10 (3.0)	145 (44.2)	6.9%	6,000 (8135)	D40x55
	HI296309522	2.625 / .400	66.7 / 10.2	700	3.100 (78.7)	1.25 (31.8)	165 (75)	15 (4.6)	145 (44.2)	10.4%	6,000 (8135)	D40x55, JT40
	HI222451*	2.875 / .392	73.0 / 10.0	900	3.250 (82.6)	1.25 (31.8)	120 (54)	10 (3.0)	169 (51.5)	5.8%	9,300 (12609)	D60x90
	HI222452	2.875 / .392	73.0 / 10.1	900	3.250 (82.6)	1.25 (31.8)	180 (82)	15 (4.6)	169 (51.5)	8.7%	9,300 (12609)	D60x90, JT60
	HI222454	3.500 / .449	88.9 / 10.4	800	3.625 (92.1)	1.50 (38.1)	250 (113)	15 (4.6)	197 (60.1)	7.5%	12,000 (16270)	D80x100
	HI296337977	3.500 / .476	88.9 / 12.1	1000	4.375 (111.1)	2.25 (57.2)	265 (120)	15 (4.6)	197 (60.1)	7.5%	15,000 (20337)	D100x140
	HI296309520	3.500 / .476	88.9 / 12.1	1000	4.375 (111.1)	2.25 (57.2)	351 (159)	20 (6.1)	197 (60.1)	10.2%	15,000 (20337)	D100x140
HXT®	HI281600*	2.063 / .260	52.4 / 6.6	402	2.500 (63.5)	1.13 (28.6)	63 (28.6)	10 (3.0)	102 (31.1)	9.8%	3,300 (4474)	JT2020
	HI294566	2.375 / .295	60.3 / 7.5	602	2.750 (69.9)	1.25 (31.8)	81 (36.7)	10 (3.0)	108 (32.9)	9.3%	5,000 (6779)	DD4045
	HI284153	2.375 / .295	60.3 / 7.6	602	2.750 (69.9)	1.25 (31.8)	115 (52)	15 (4.6)	108 (32.9)	13.9%	5,000 (6779)	D36x44
	HI294642	2.625 / .400	66.7 / 10.2	602	2.750 (69.9)	1.25 (31.8)	160 (73)	15 (4.6)	145 (44.2)	10.4%	5,000 (6779)	D36x50
	HI276305	2.625 / .400	66.7 / 10.2	702	3.375 (85.7)	1.50 (38.1)	164 (74)	14.8 (4.5)	145 (44.2)	10.0%	7,000 (9491)	JT4020M1
	HI276307*	2.875 / .440	73.0 / 11.2	902	3.875 (98.4)	2.00 (50.8)	198 (90)	15 (4.6)	169 (51.5)	8.9%	13,000 (17626)	D55x100
	HI350802015	3.500 / .449	88.9 / 10.4	802	4.125 (104.8)	2.25 (57.2)	260 (118)	15 (4.6)	197 (60.1)	7.5%	18,000 (24405)	JT100
	HI276376	3.500 / .449	88.9 / 10.4	802	4.125 (104.8)	2.25 (57.2)	327 (148)	20 (6.1)	197 (60.1)	10.1%	18,000 (24405)	D100x120
	HI296100215	3.500 / .476	88.9 / 12.1	1002	4.375 (111.1)	2.25 (57.2)	260 (118)	15 (4.6)	197 (60.1)	7.5%	24,000 (32540)	PD 50/30
	HI296100220	3.500 / .476	88.9 / 12.1	1002	4.375 (111.1)	2.25 (57.2)	327 (148)	20 (6.1)	197 (60.1)	10.1%	24,000 (32540)	PD 50/30

 **Click to view Conversion Roadmaps**

*** Most common models See roadmaps for all drill options**



HUNTING



**MORE THAN JUST
DRILL PIPE**