

# Ditch Witch® Conversion Road Maps

Drill Rod (HIWS1 or HXT) (aka FS1 or FS2)

Drive Chucks

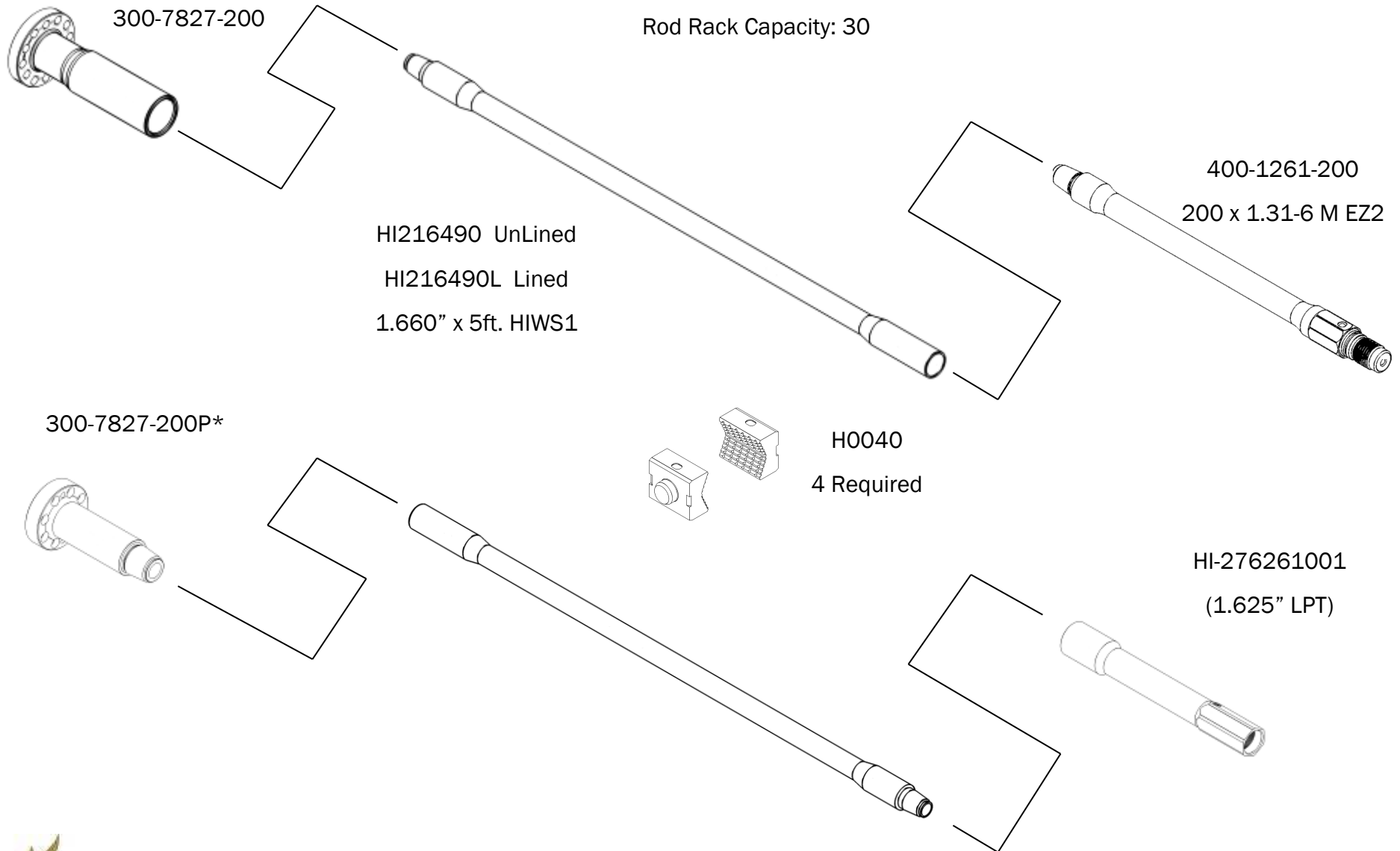
Saver Subs

Transition Rods / Starter Rods



# Ditch Witch® JT5 / JT520 Conversion (HIWS1)

## Component Road Map

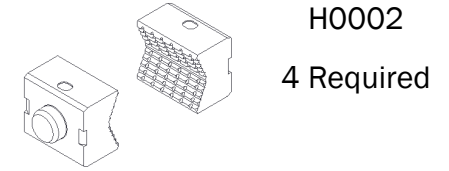


(\* indicates non stocking item)



# Ditch Witch® JT9 / JT10 / JT922 Conversion (HIWS1) Component Road Map

Rod Rack Capacity: 50

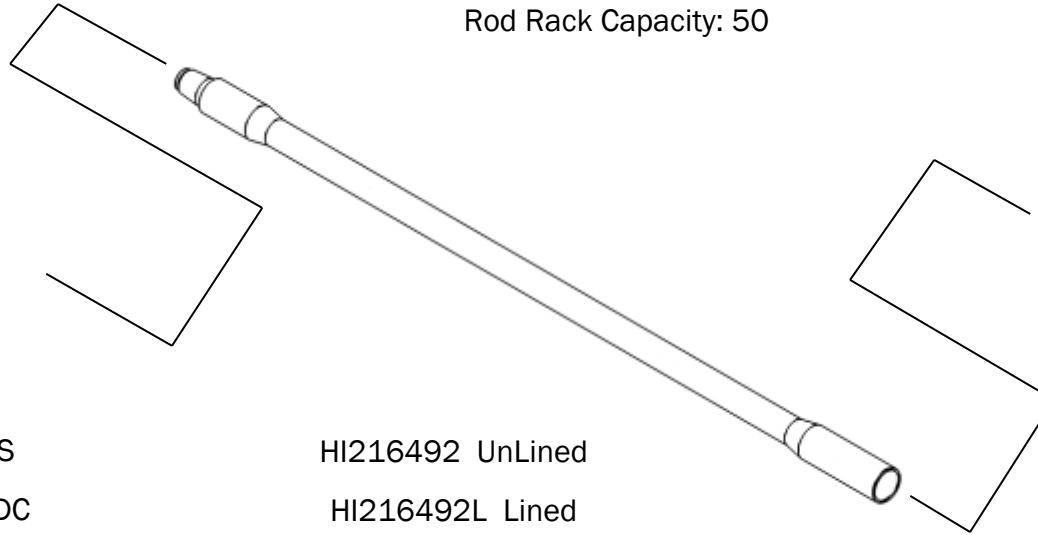


H0002  
4 Required

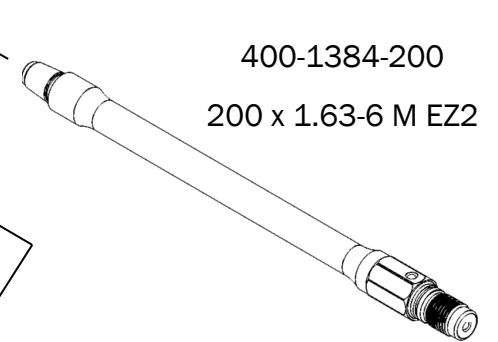


One Piece: 300-7767-200  
Recommended

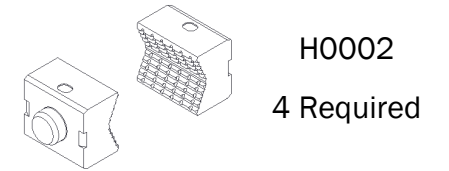
Two Piece: 300-7767-200AS  
Drive Chuck: 300-7767-200DC  
Sub Saver: 296255351



HI216492 UnLined  
HI216492L Lined  
1.660" x 6 ft. HIWS1  
#200 Thread



400-1384-200  
200 x 1.63-6 M EZ2

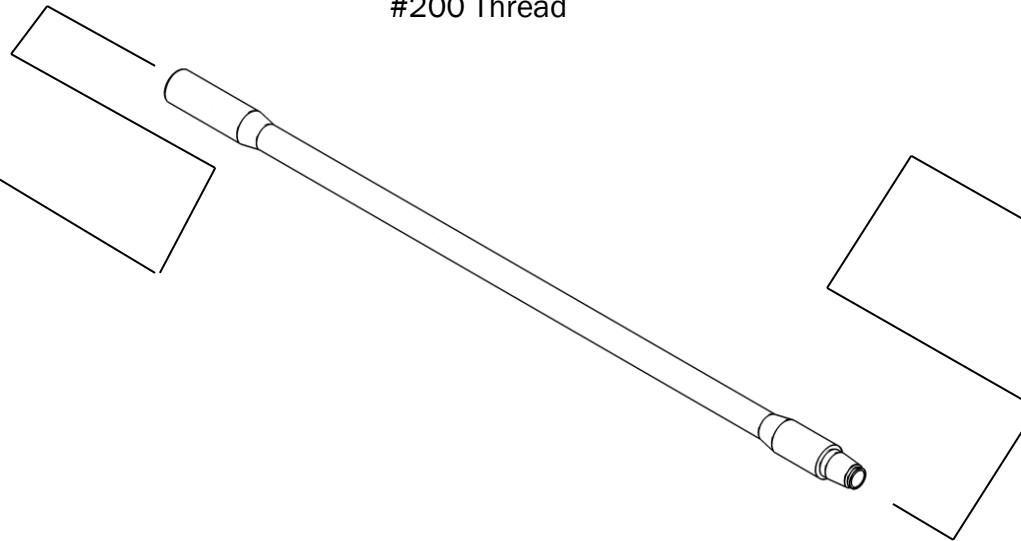


H0002  
4 Required

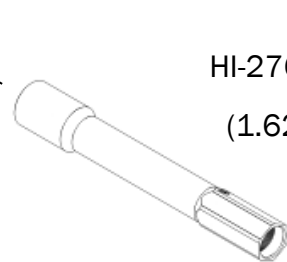


One Piece: 300-7767-200P  
Recommended

Two Piece: 300-7767-200PAS  
Drive Chuck: 300-7767-200DC  
Sub Saver: 300-7767-200PSS



HI-276261001  
(1.625" LPT)

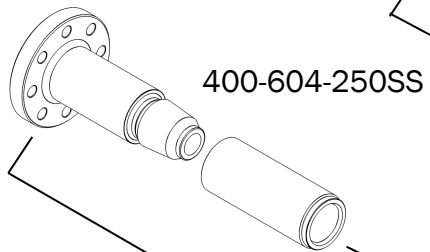


# Ditch Witch® JT1220 Conversion (HIWS1)

## Component Road Map

Rod Rack Capacity: 40

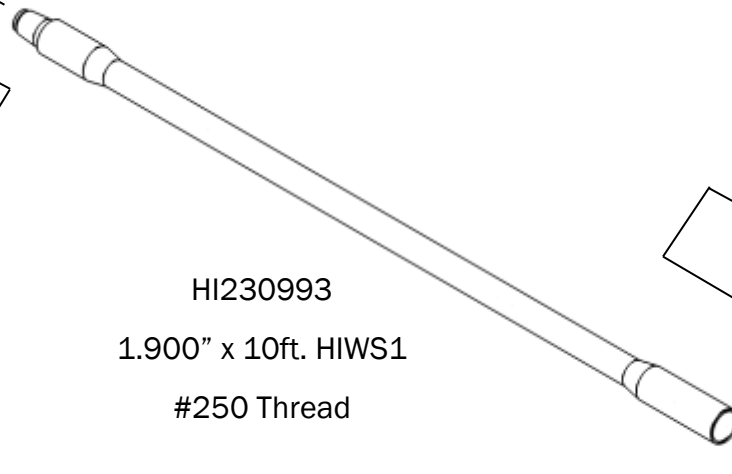
400-604-400P



400-604-250SS

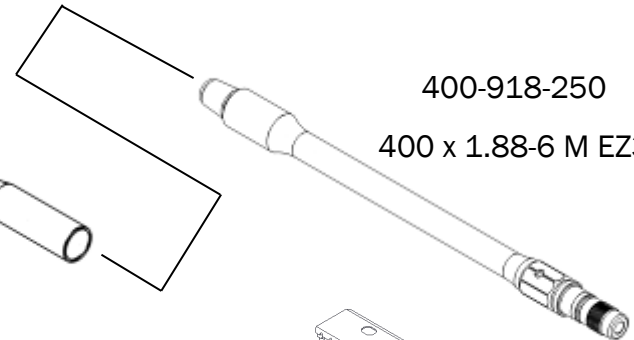
400-604-250AS

HI230993  
1.900" x 10ft. HIWS1  
#250 Thread

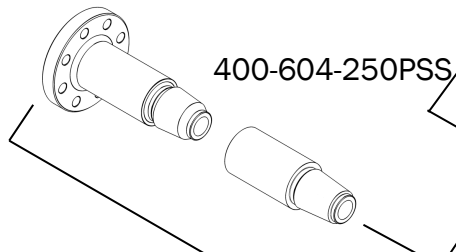


400-918-250

400 x 1.88-6 M EZ3



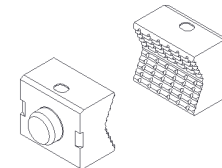
400-604-400P



400-604-250PSS

400-604-250PAS

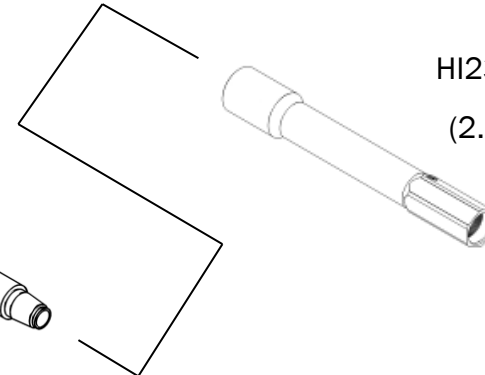
HI230993  
1.900" x 10ft. HIWS1  
#250 Thread



H0002

4 Required

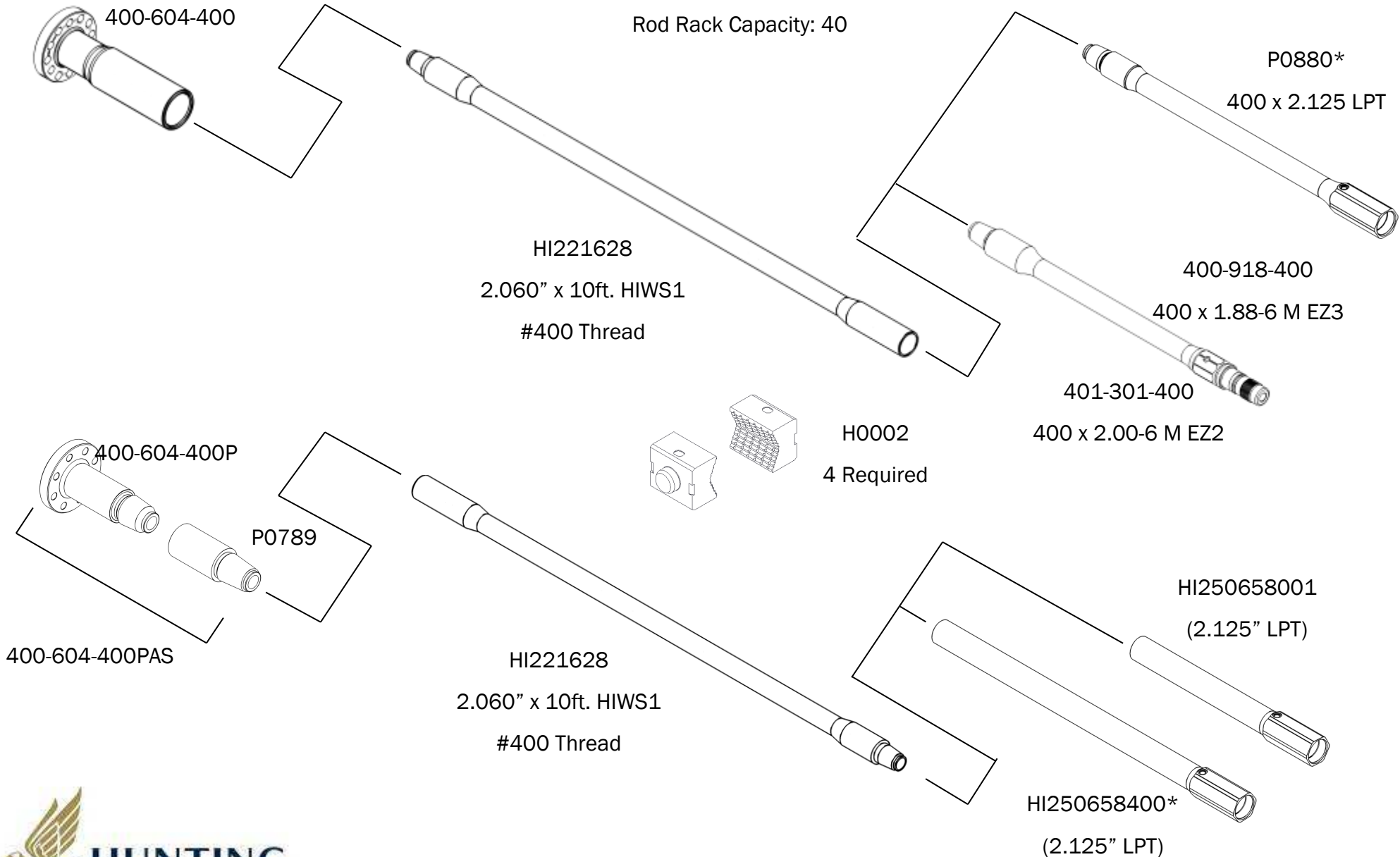
HI234840001  
(2.125" LPT)



# Ditch Witch® JT1220 / JT2020 Conversion (HIWS1)

## Component Road Map

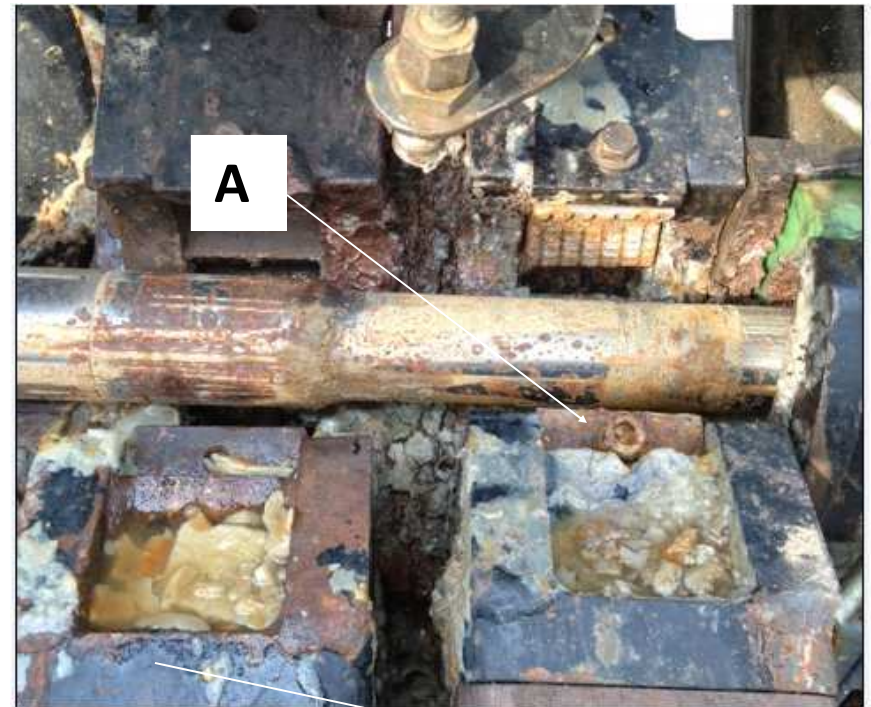
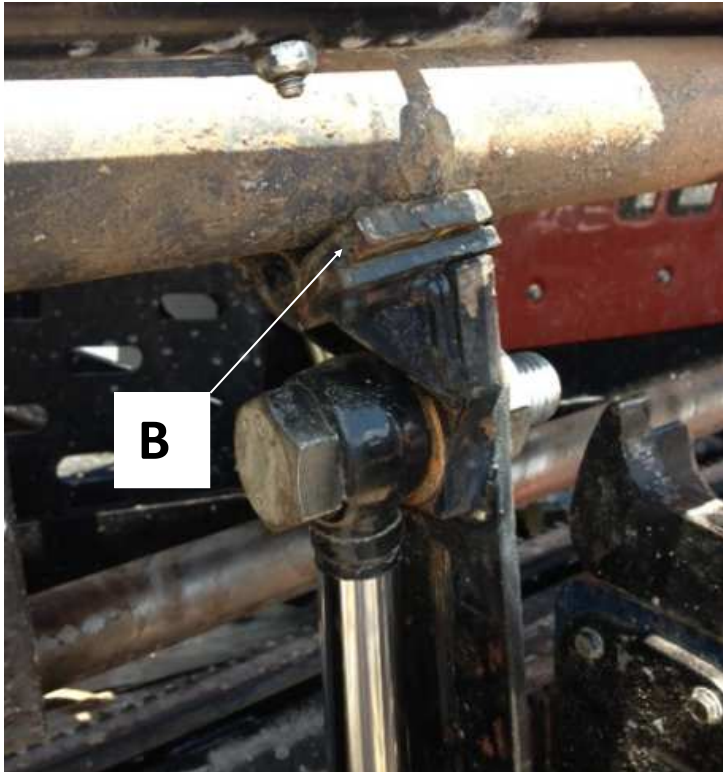
Rod Rack Capacity: 40



(\*) indicates non-stock item



# Ditch Witch® JT1220/JT2020 Conversion



Additional items needed to complete conversion using HI221628 or HI230993 pipe.

-[A] A set of four jaw blocks for use with 2.25" or 2.125" tool joints (2.060" and 1.900" pipe). Jaw block can be purchased from Hunting part number H0002.

-[B] To account for the smaller diameter tool joint and lifting pipe into the rod-box, Hunting recommends welding 1/4" spacer plates on the two lift arms. (Required for JT2020 only)

-Note: Proximity sensors used in detection of pipe location for the rod loader functions may have to be repositioned slightly to account for the different diameter pipe.



## Ditch Witch® JT2020 Conversion (2.060 pipe)



Additional items needed to complete conversion using HI221628 pipe.

-[C] The smaller OD tool joints stagger in the pipe loader guide area and will not allow a smooth transition into the rod box. Use 1/4" plate x 3" wide x 6-3/4" in length, bevel at both ends then stitch weld to inside of box dividers to create a smooth transition for the pipe. Material should be attached to the flat side (opposite operator side) of the guide area. (Required for JT2020 only)

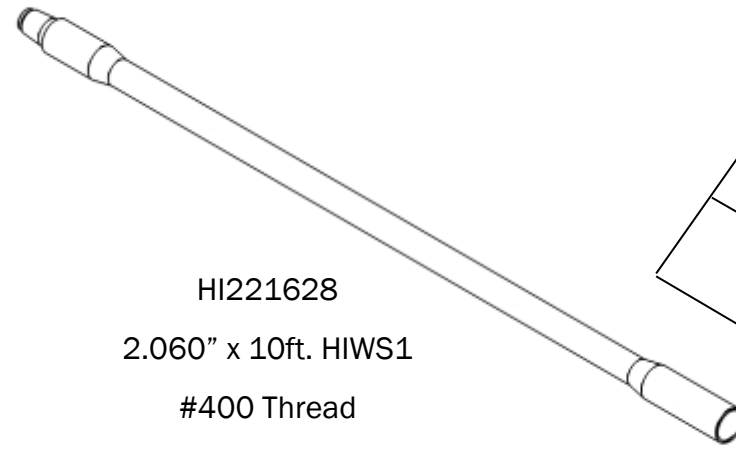
-[D] Weld 3/8" spacer to catch arm to account for the smaller diameter pipe. (Required for JT2020 only)

# Ditch Witch® JT20 Conversion (HIWS1)

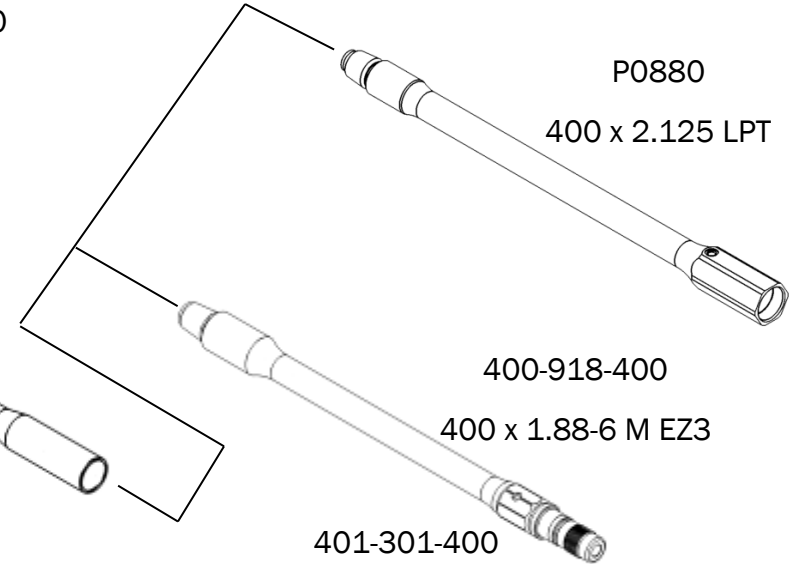
## Component Road Map

400-2254\*  
SaverLok® #400Box

Rod Rack Capacity: 40



HI221628  
2.060" x 10ft. HIWS1  
#400 Thread



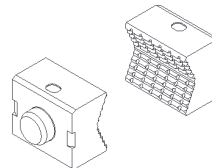
P0880

400 x 2.125 LPT

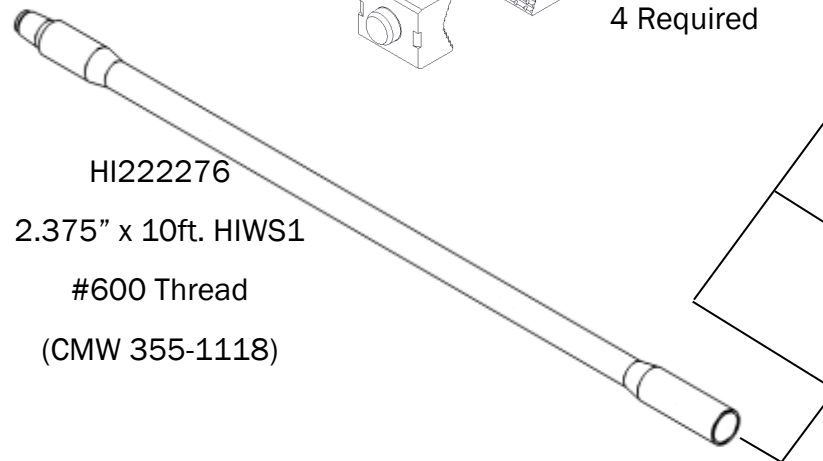
400-918-400

400 x 1.88-6 M EZ3

400-2255\*  
SaverLok® #600Box

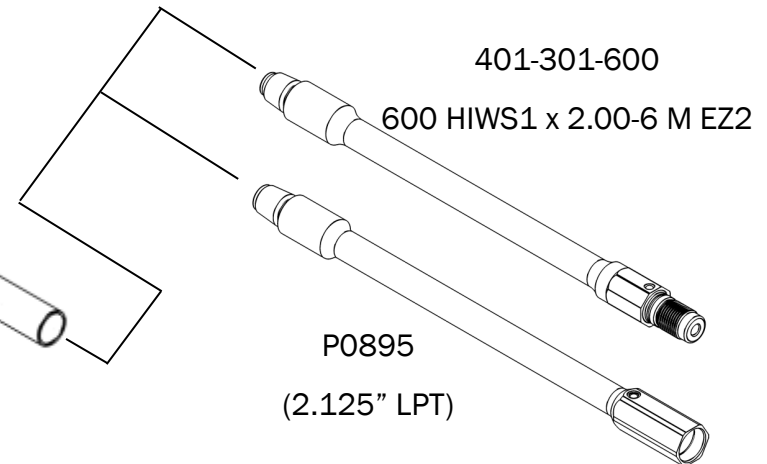


H0002  
4 Required



HI222276  
2.375" x 10ft. HIWS1  
#600 Thread  
(CMW 355-1118)

401-301-400  
400 x 2.00-6 M EZ2



401-301-600

600 HIWS1 x 2.00-6 M EZ2

P0895

(2.125" LPT)

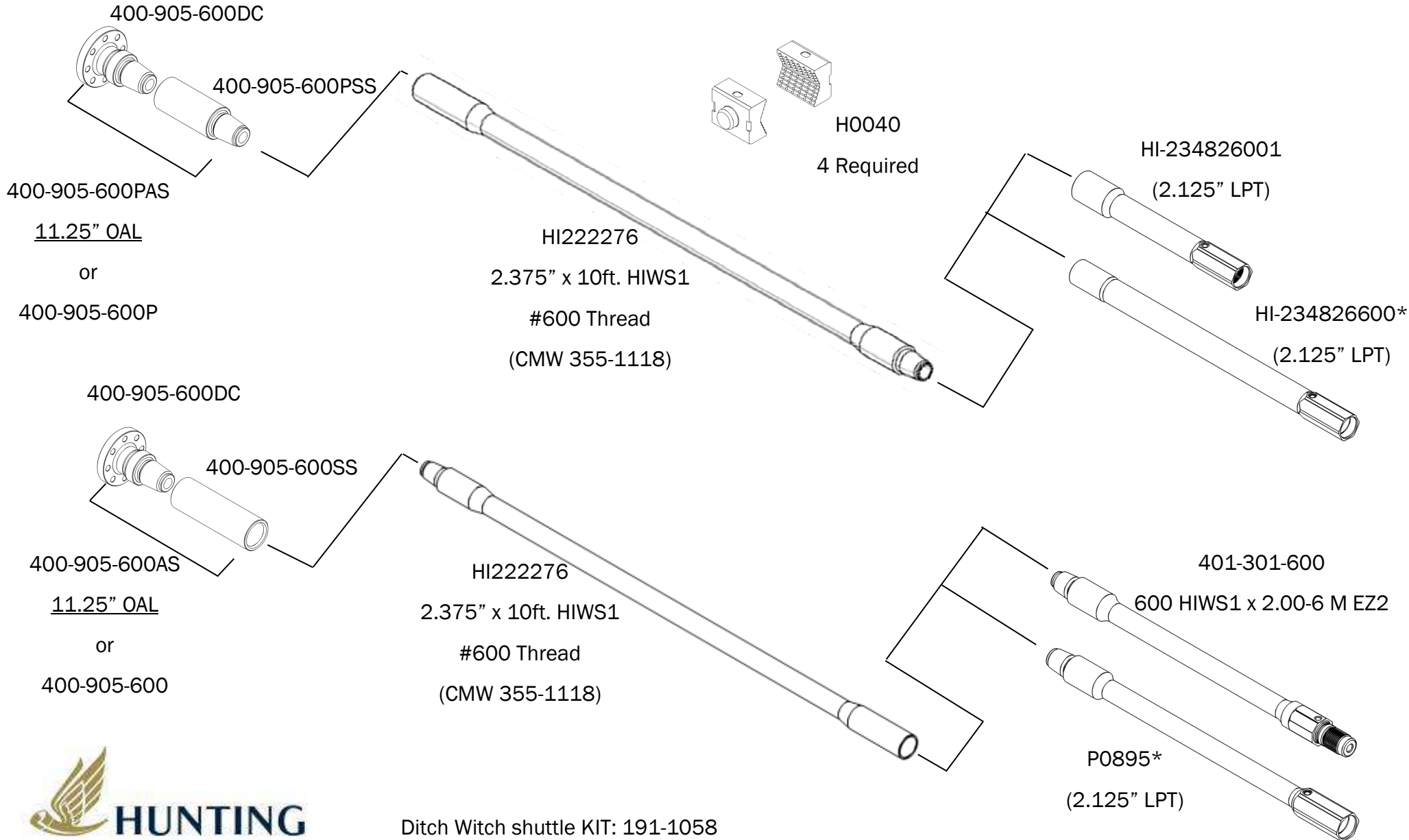


(\*) indicates non-stock item



# Ditch Witch® JT2020 Conversion (HIWS1)

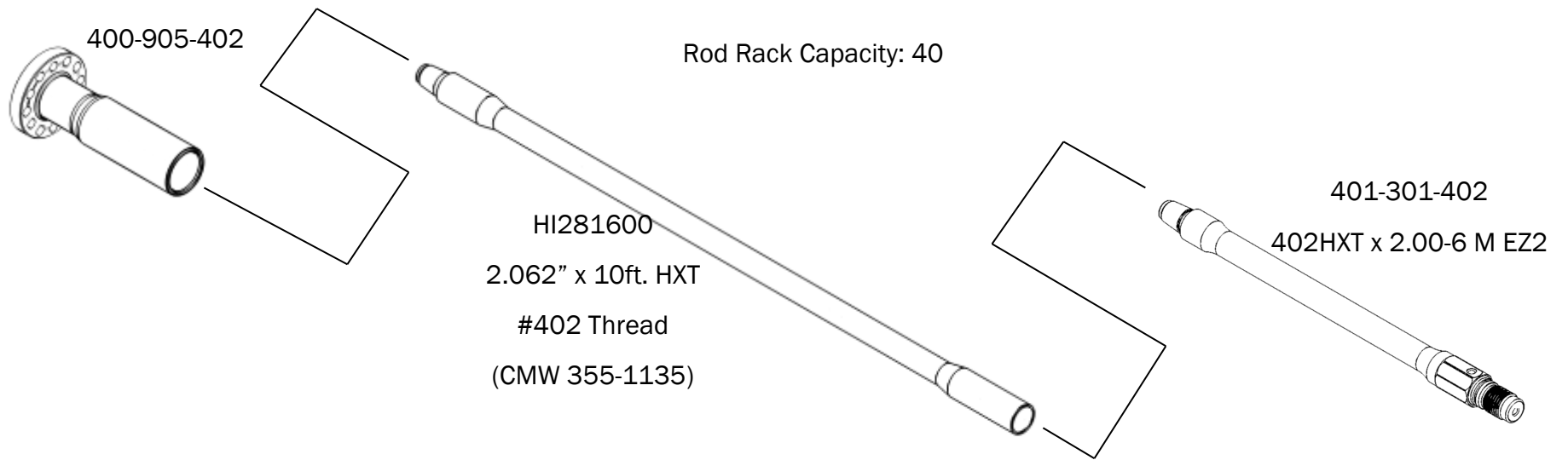
## Component Road Map



Ditch Witch shuttle KIT: 191-1058

# Ditch Witch® JT2020 Conversion (HXT)

## Component Road Map

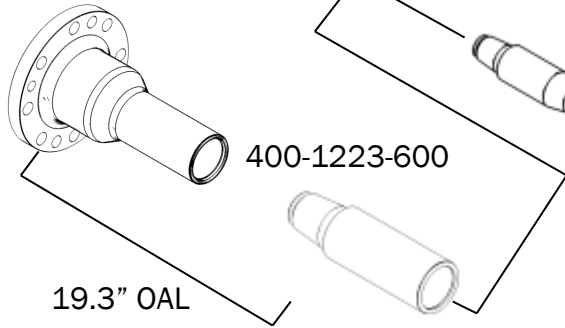


# Ditch Witch® JT2720M1 Conversion (HIWS1)

## Component Road Map

400-1224-602DC (5.75" Dia. Flange)

400-1229-602DC (7.50" Dia. Flange)

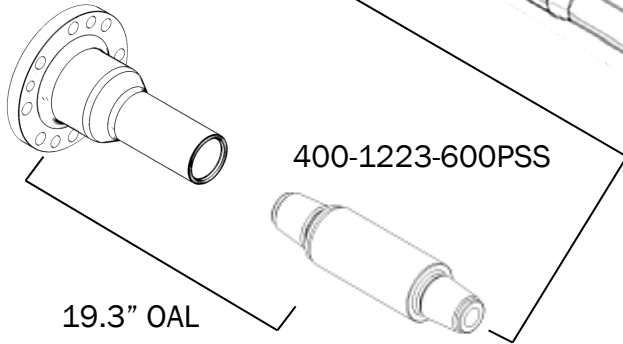


400-1224-600AS (S/N 2W0001-2W9999)

400-1229-600AS (S/N 2X0001-2X9999)

400-1224-602DC (5.75" Dia. Flange)

400-1229-602DC (7.50" Dia. Flange)



400-1224-600PAS (S/N 2W0001-2W9999)

400-1229-600PAS (S/N 2X0001-2X9999)

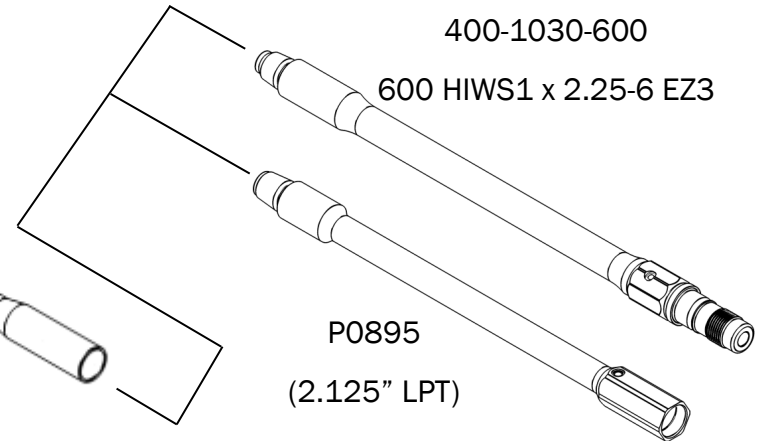
Rod Rack Capacity: 25/50

HI222276  
2.375" x 10ft. HIWS1  
#600 Thread

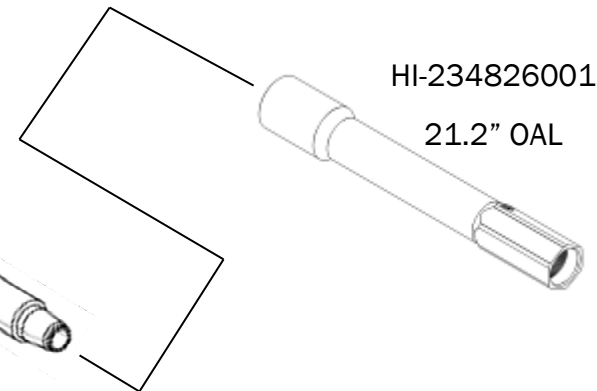
OR

HI222276  
2.375" x 10ft. HIWS1  
#600 Thread

400-1030-600  
600 HIWS1 x 2.25-6 EZ3



HI-234826001  
21.2" OAL



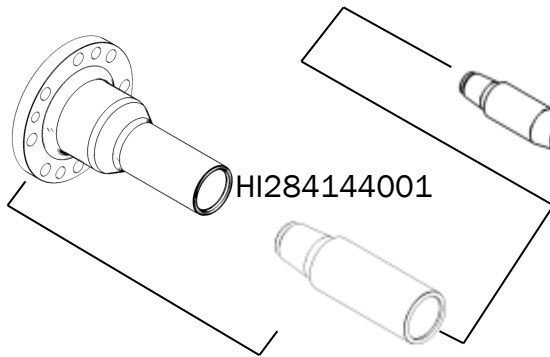
# Ditch Witch® JT2720M1 Conversion (HXT)

Component Road Map

Rod Rack Capacity: 25/50

400-1224-602DC (5.75" Dia. Flange)

400-1229-602DC (7.50" Dia. Flange)

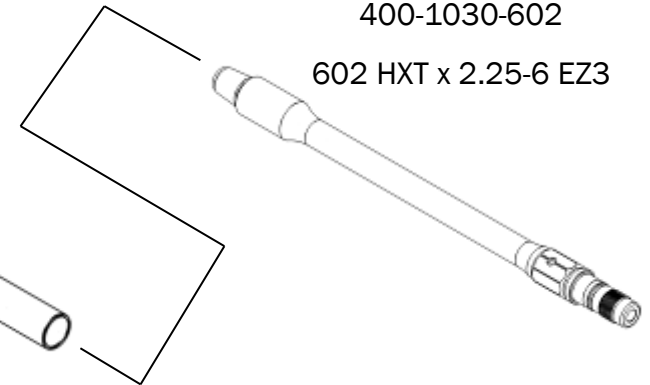


400-1224-602AS (S/N 2W0001-2W9999)

400-1229-602AS (S/N 2X0001-2X9999)

HI294566  
2.375" x 10ft. HXT  
#602 Thread

400-1030-602  
602 HXT x 2.25-6 EZ3



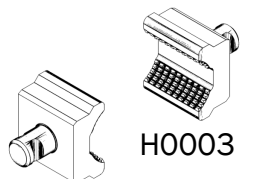
# Ditch Witch® JT25 / JT30 Conversion (HIWS1)

## Component Road Map

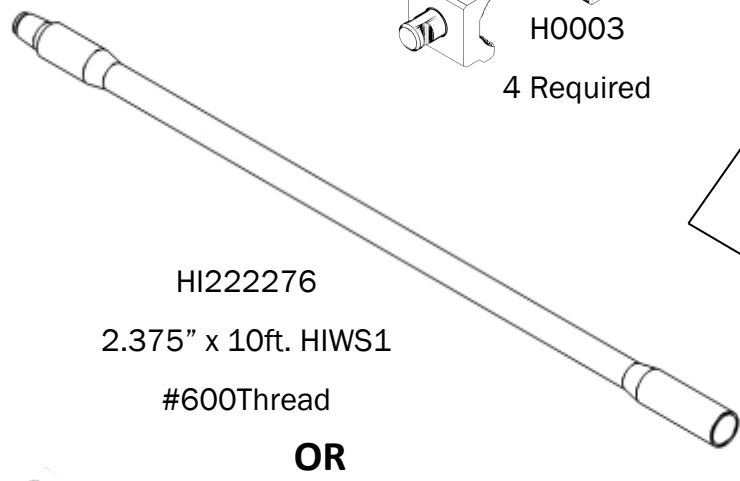
400-2038\*

SaverLok® #600Box

Rod Rack Capacity: 50

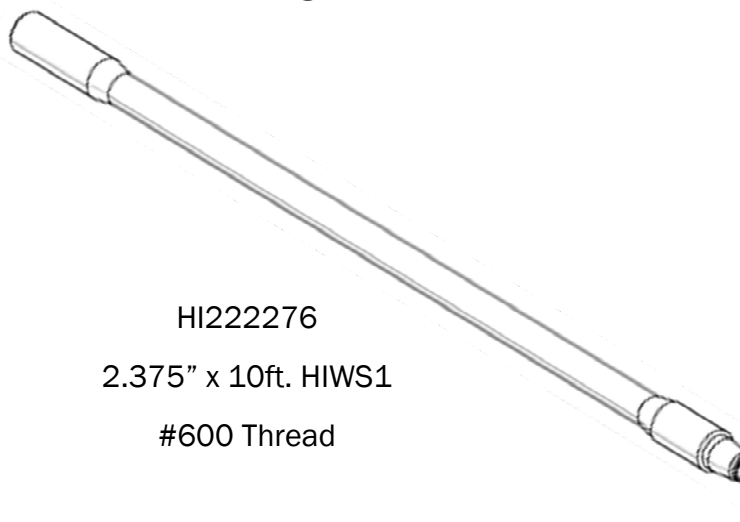


H0003  
4 Required

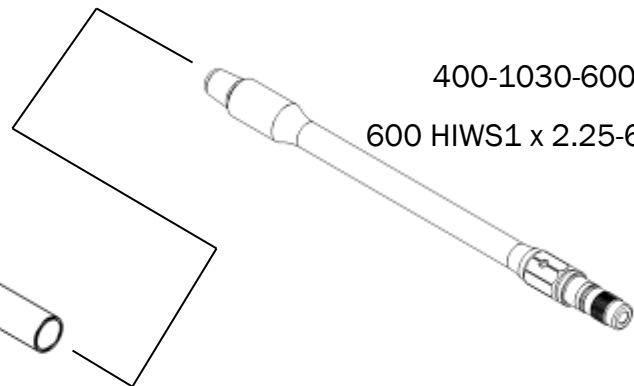


HI222276  
2.375" x 10ft. HIWS1  
#600Thread

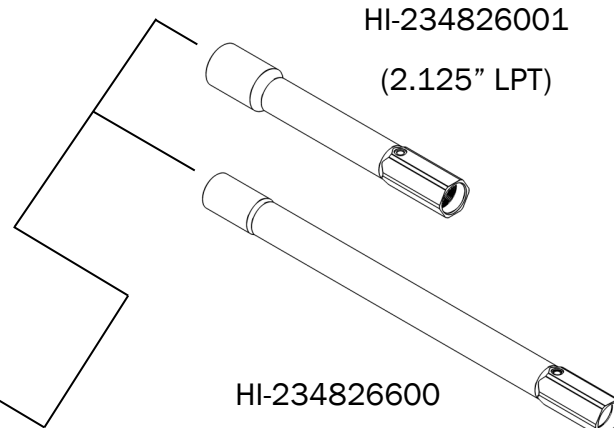
**OR**



HI222276  
2.375" x 10ft. HIWS1  
#600 Thread



400-1030-600  
600 HIWS1 x 2.25-6 EZ3



HI-234826001  
(2.125" LPT)

HI-234826600  
(2.125" LPT)



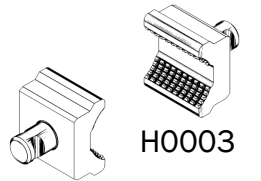
# Ditch Witch® JT25 / JT30 Conversion (HXT)

## Component Road Map

CP0241-10\*

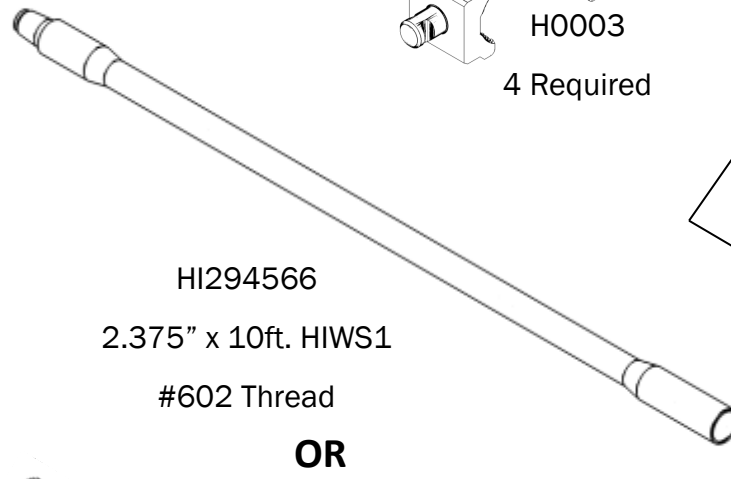
SaverLok® #602 Box

Rod Rack Capacity: 25



H0003

4 Required

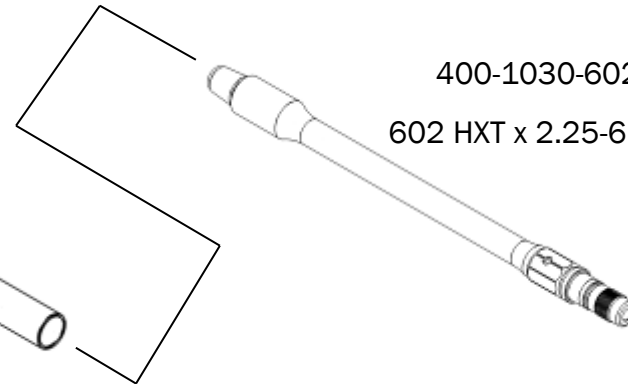


HI294566

2.375" x 10ft. HIWS1

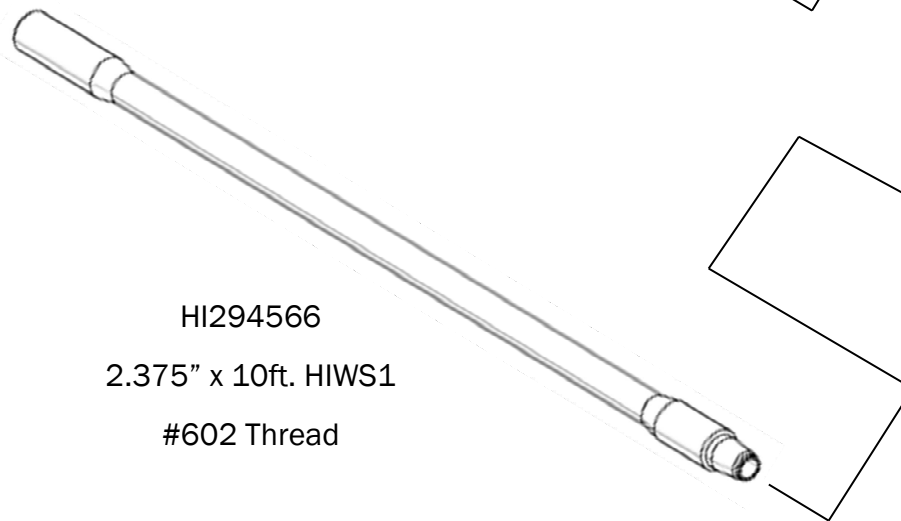
#602 Thread

**OR**



400-1030-602

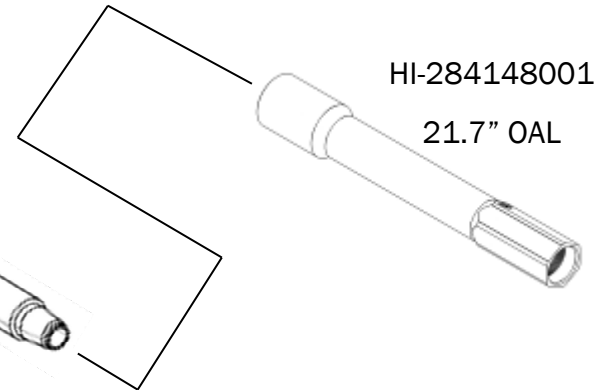
602 HXT x 2.25-6 EZ3



HI294566

2.375" x 10ft. HIWS1

#602 Thread



HI-284148001

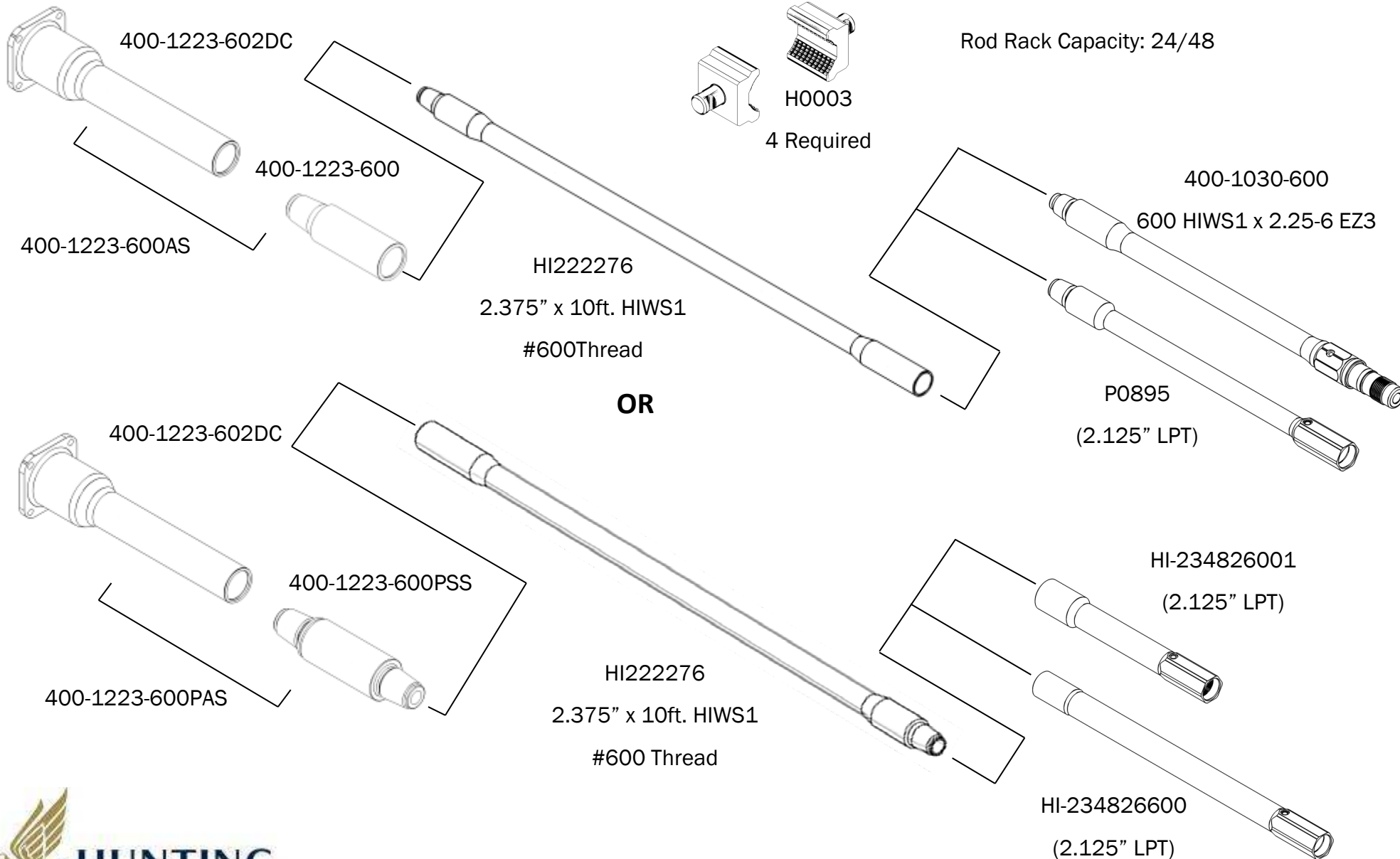
21.7" OAL



(\*) indicates non-stock item

# Ditch Witch® JT3020 Conversion (HIWS1)

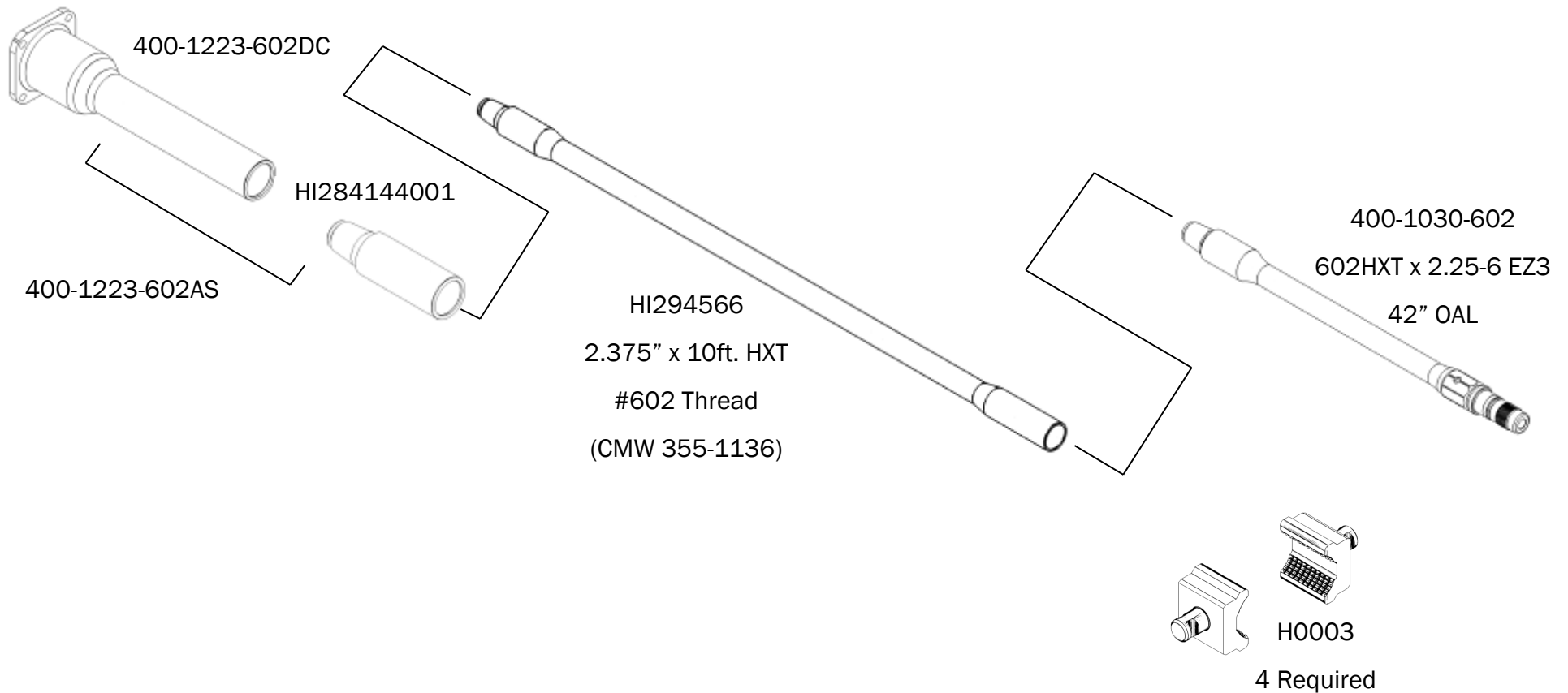
## Component Road Map



# Ditch Witch® JT3020 Conversion (HXT)

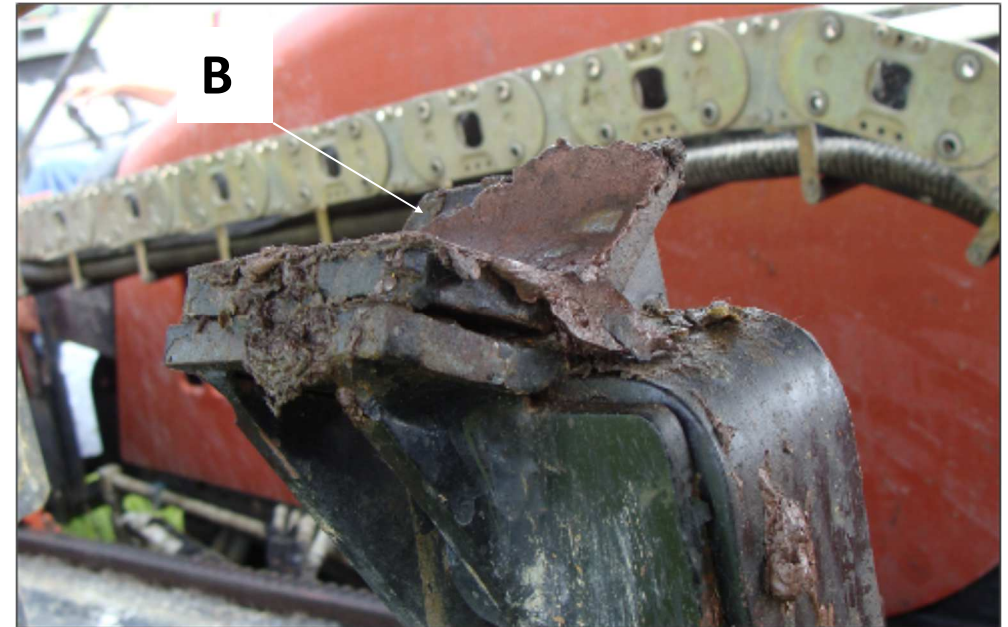
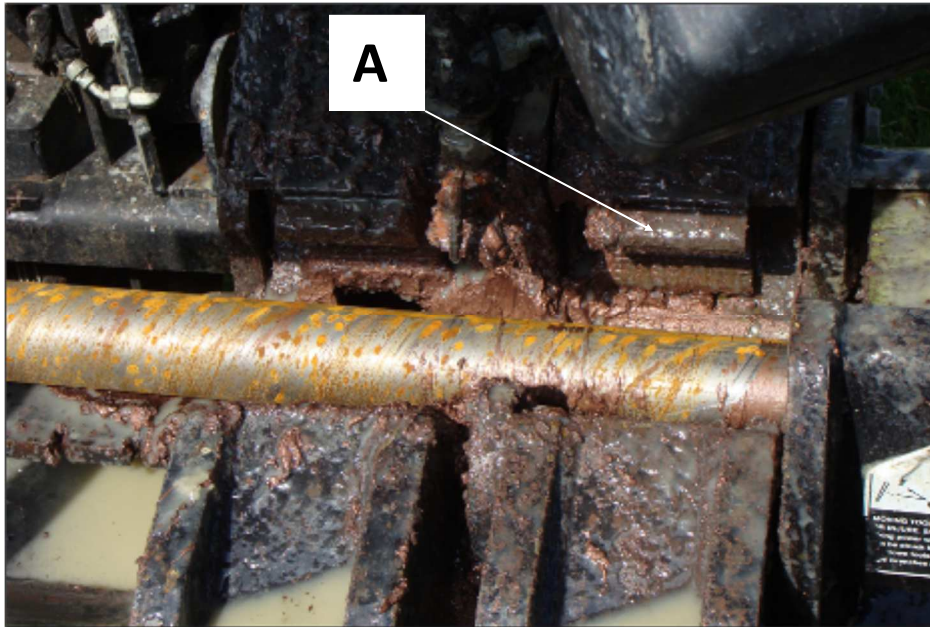
## Component Road Map

Rod Rack Capacity: 24/48





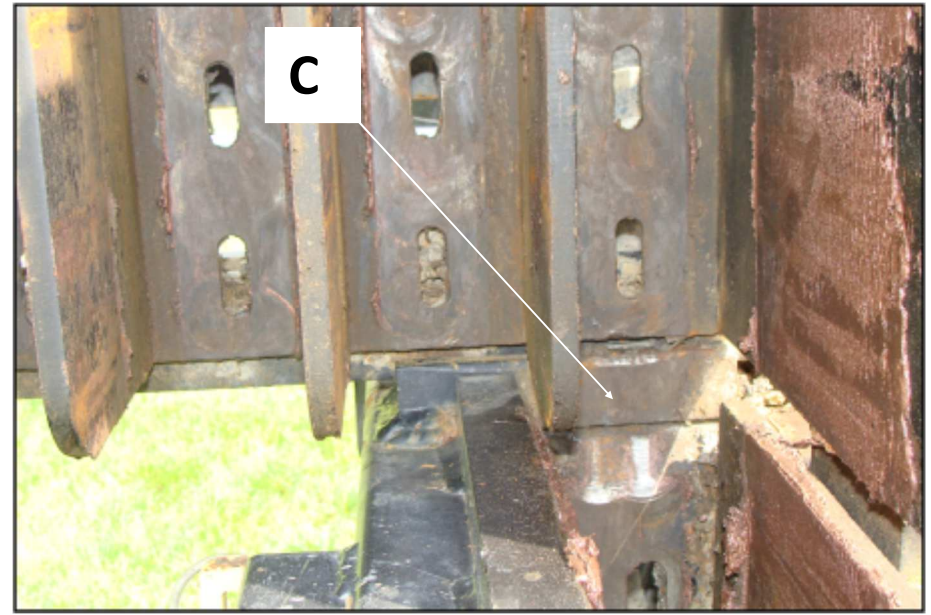
## Ditch Witch® JT3020 Conversion (HXT and HIWS1)



Items needed to complete HXT and HIWS1 conversion.

- [A] Set of 4 jaw blocks for use with 2.625" or 2.750" tool joints. Jaw block can be purchased from Hunting part number H0003.
- [B] To account for a smaller diameter tool joint and lifting pipe into rod-box, Hunting recommends welding 1/4" spacer plates on the two lift arms.

## Ditch Witch® JT3020 Conversion (HIWS1)



Additional items needed to complete HIWS1 “pin-down” conversion.

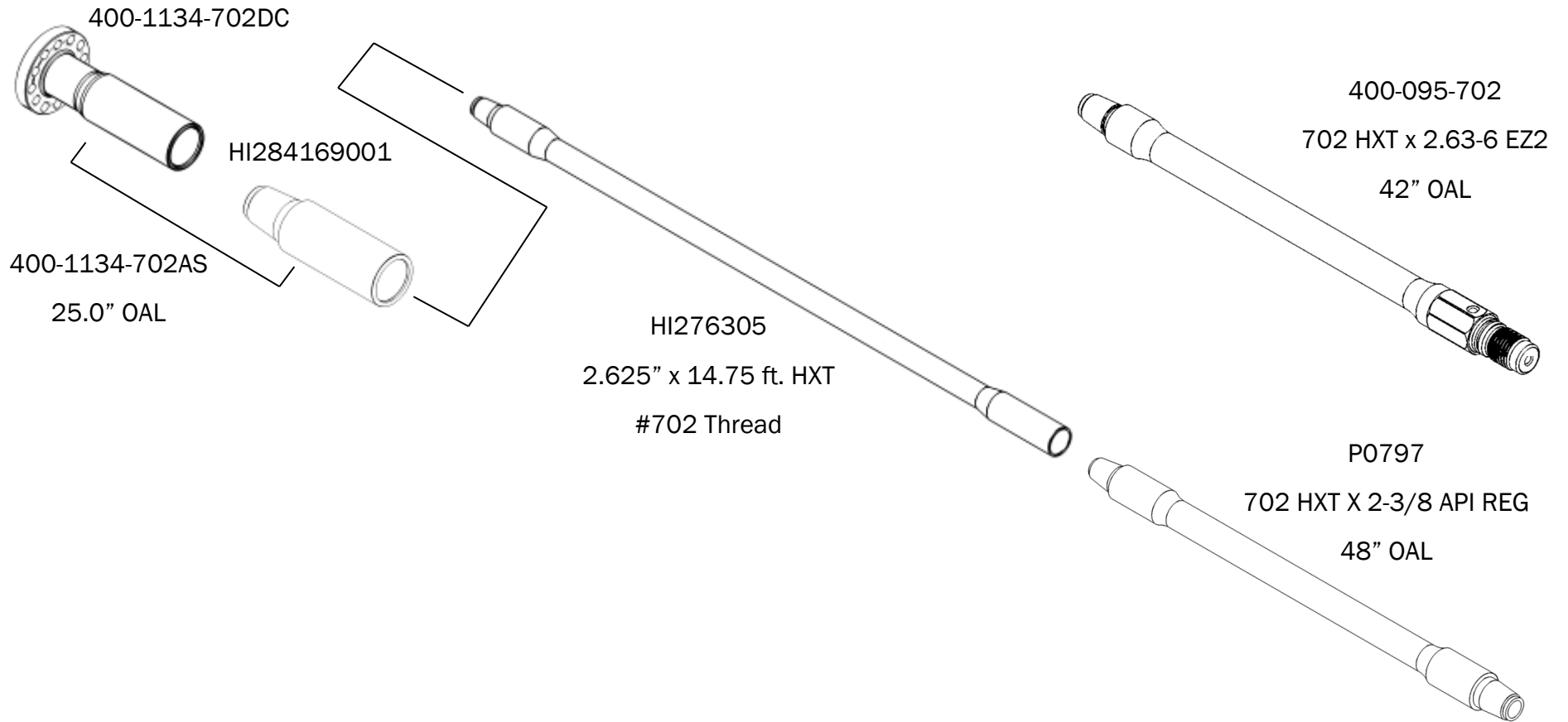
- Complete steps “A” and “B” from JT3020 HXT and HIWS1 conversion. Replace jaw blocks and add spacer plates to lifter arms.

-[C] Weld a vertical guide plate, extending the pipe guide into the pipe box. (A small piece of angle iron works best. With a pin-down configuration the nose of the pin can “catch” on the bottom of the rod box, when the pipe is lifted back into the rod box, therefore it is necessary to add a vertical guide plate.)

# Ditch Witch® JT4020 Mach 1 Conversion (HXT)

## Component Road Map

Rod Rack Capacity: 16/32



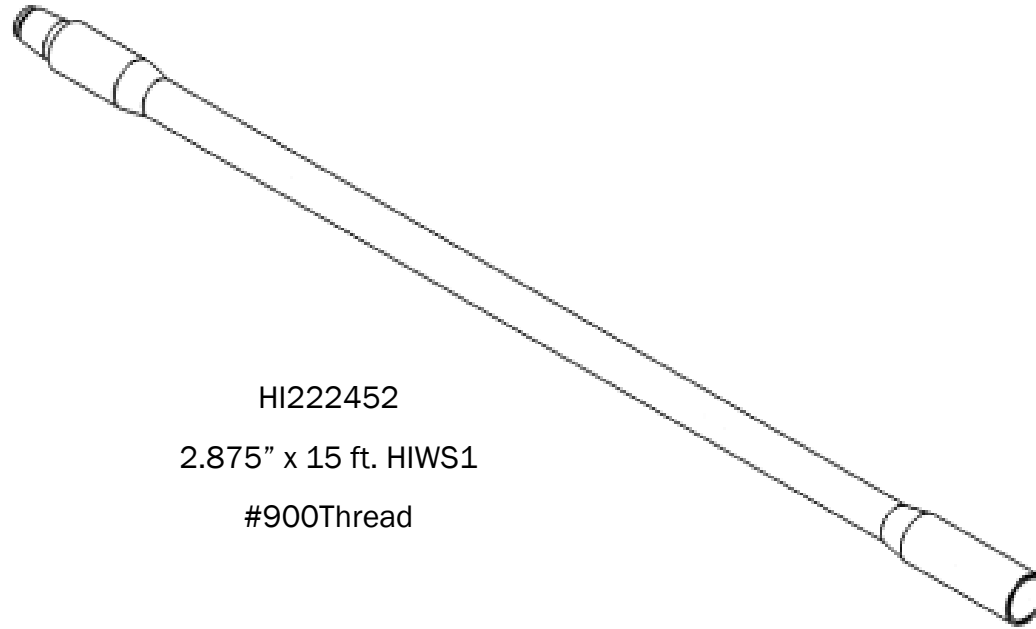
# Ditch Witch® JT60 Conversion (HIWS1)

Component Road Map

Rod Rack Capacity: 16/28

400-2253\*

SaverLoc #900Box



HI222452

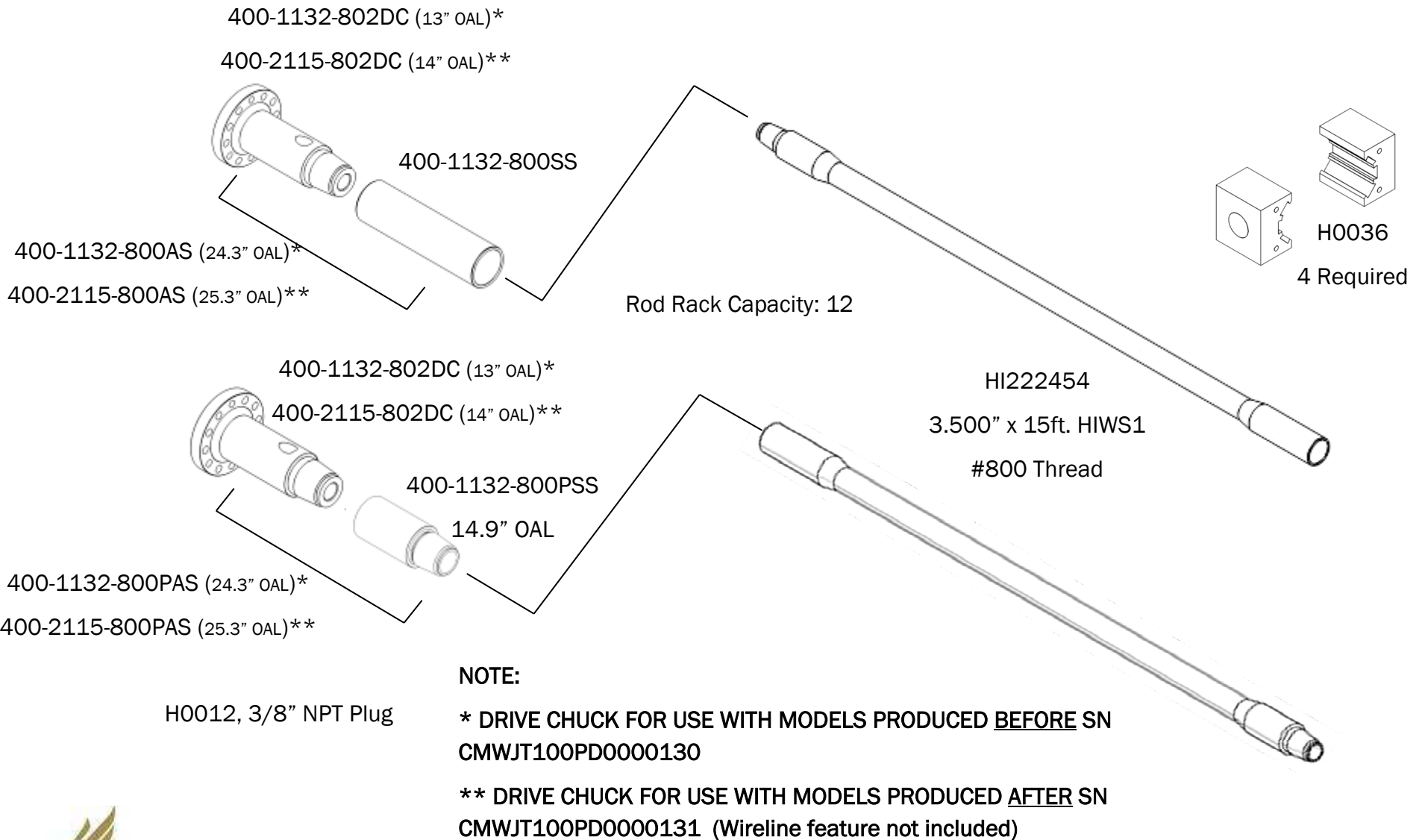
2.875" x 15 ft. HIWS1

#900Thread



# Ditch Witch® JT7020/JT8020/JT100 Conversion (HIWS1)

## Component Road Map

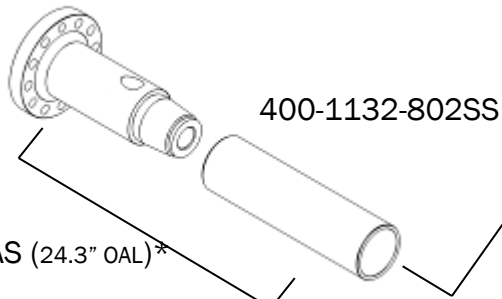


# Ditch Witch® JT7020/JT8020/JT100 Conversion (HXT)

## Component Road Map

Optional parts for BOX down conversion. The following parts will allow you to add your existing Ditch Witch pipe to the string when your bore distance exceeds the number of HXT rods you have.

400-1132-802DC (13" OAL)\*



400-1132-802SS

P0848\* 14.9" OAL ADAPTER (JT100 BOX X 802 BOX)

P0849\* 13.0" OAL SAVER SUB (802 BOX X JT100 PIN)

(CALL P0847\* 57" OAL TRANSITION ROD  
802 PIN X JT100 PIN  
(CALL FOR PRICING)

Rod Rack Capacity: 12

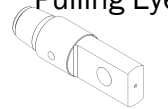
HI350802015

3.500" x 15ft. HXT

#802 Thread

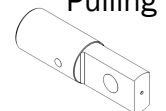
P0870

Pulling Eye



P0871

Pulling Eye



400-1132-802AS (24.3" OAL)\*

400-2115-802AS (25.3" OAL)\*\*

400-1132-802DC (13" OAL)\*

400-2115-802DC (14" OAL)\*\*

400-1132-802PSS

14.9" OAL

400-1132-802PAS (24.3" OAL)\*

400-2115-802PAS (25.3" OAL)\*\*

H0012, 3/8" NPT Plug

### NOTE:

\* DRIVE CHUCK FOR USE WITH MODELS PRODUCED BEFORE SN CMWJT100PD0000130

\*\* DRIVE CHUCK FOR USE WITH MODELS PRODUCED AFTER SN CMWJT100PD0000131 (Wireline feature not included)

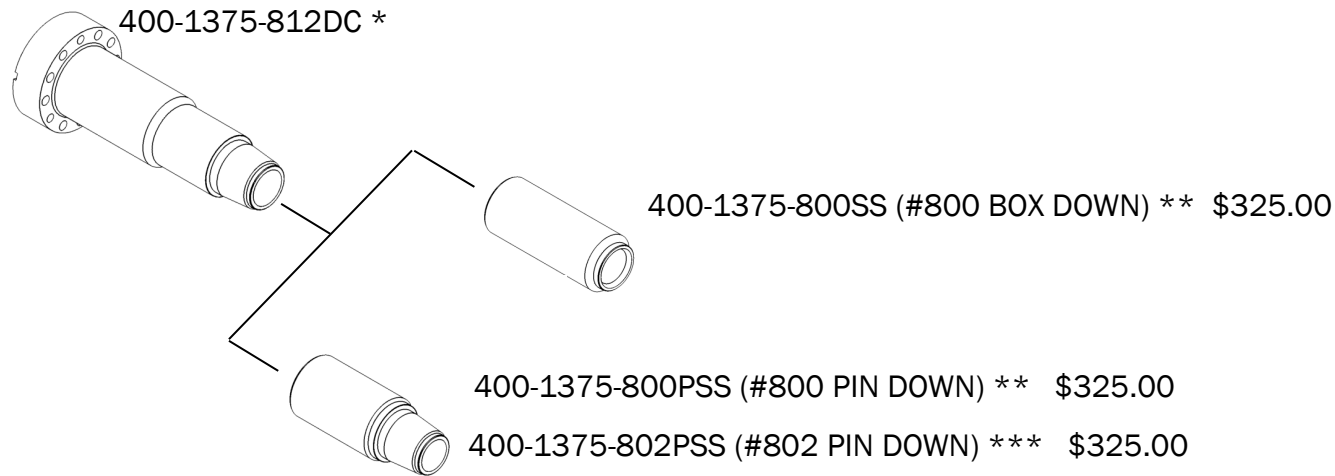
(\*) indicates non stocking item



# Ditch Witch® JT7020/JT8020/JT100 All Terrain Conversion

## Component Road Map

This part is not a standard stocking item. Lead time is typically 3 weeks. See note below about modifying your existing sub.



\* YOUR EXISTING ALL TERRAIN SAVER-SUB CAN BE MODIFIED TO ACCEPT ONE OF THE FOUR AVAILABLE SUBS. COST FOR THIS SERVICE IS \$250 PLUS SHIPPING AND HANDLING. TURN AROUND TIME IS TYPICALLY ONE WEEK ONCE WE RECEIVE THE EXISTING SAVER-SUB

Contact your Hunting representative for assistance with this service.

\*\* FOUR (4) H0036 JAW BLOCKS ARE REQUIRED FOR THIS CONVERSION



# Ditch Witch® Conversions



## General note about Ditch Witch conversions

- Drill rigs with pipe locator switches (prox switch) may need to be adjusted due to Hunting drill rod diameters being different than standard Ditch Witch rod. Adjustment screws are located on switch mounting bracket. Pictures on the left are shown as an example and may not represent your exact rig.
- When converting a drill rig to run the pipe “PIN down” the automated greasers will need to be adjusted. If the machine has both upper and lower greaser, the upper greaser will need to be disconnected (reference photo above).
- Any drill rig that has “auto-makeup”, you may need to reset the parameters to compensate for the difference between the pitch of the Hunting thread vs. the pitch of the Ditch Witch thread. These parameters can only be reset by the Ditch Witch service mechanic at your local dealership.



# Starter Rod /Transition Rod Accessories

Starter Rod/Transition Rod Components	Transition Rod Part Number	
JT5 1.31-6 M EZ2 369-319, EZ Protector Cap H0034, M8-1.25 X 12mm Cap Screw H0018, O-Ring (025 D90 Poly)	400-1261-200	H0004, 1/2"-13 X 1/2" SHCS Vermeer Starter Rod Cap Screw Use with 2.125" LPT
JT922 1.63-6MEZ2 111-092, EZ Protector Cap H0005, M10-1.50 X 12mm Cap Screw H0008, O-Ring (029 D90 Poly)	400-1384-200	H0014, 3/8"-16 X 1.2" SHCS Vermeer Starter Rod Cap Screw Use with 1.625" LPT
JT1220 1.88-6MEZ3 159-574, EZ Protector Cap H0006, M10-1.50 X 16mm Cap Screw H0009, O-Ring (223 D90 Buna)	400-918-250 400-918-400	H0013, Saver Sub Locking Compound Single use container. Note, product is date sensitive, only order as needed. Shelf life of product is 6 months.
JT2020 2.00-6MEZ2 369-271, EZ Protector Cap H0007, M12-1.75 X 20mm Cap Screw H0010, O-Ring (032 D90 Poly)	401-301-402 401-301-600 401-301-400 401-301	
JT3020 2.25-6MEZ3	400-1030-602	