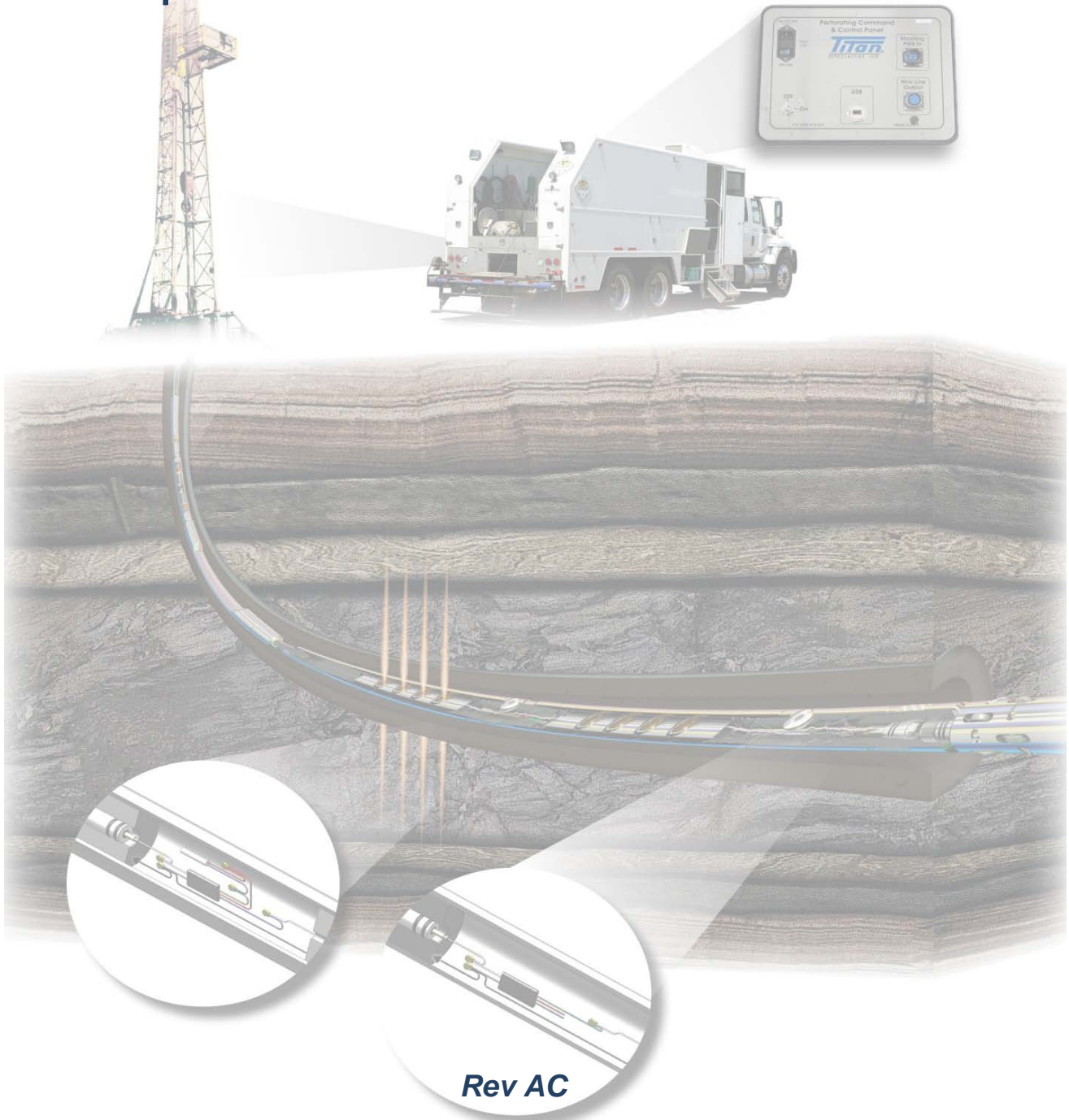


ControlFire[®]

Specification – 9002-013-550



Copyright © 2012 Hunting Titan. All Rights Reserved.

Titan ControlFire® Rack Mounted Specification

Table of Contents

1.0 ControlFire® Perforating Panel Specifications 3

2.0 ControlFire® Perforating Panel Mechanical Drawings 4

3.0 Wiring Diagram 6

Titan ControlFire® Rack Mounted Specification

1.0 ControlFire® Perforating Panel Specifications

Table 1

Specification	Rating/Description	Conditions
Temperature	(-10 to +55)C (+14 to +131)F	Operating
	(-10 to +55)C (+14 to +131)F	Start Up
	(-30 to +75)C (-22 to +167)F	Storage
Humidity, RH%, Operating & Storage	10 to 95% RH	Non-Condensing
Altitude	0 – 10,000ft	Operating
	0 - 45,000ft	Storage
AC Input Voltage	120-220 VAC	0~100% load
Frequency, Range	50 – 60 Hz	0~100% load
Input Power	150W Max	
AC Power Cord	3 conductor, 18AWG, 10A, 60°C minimum, 3m length maximum	Operating
AC Entry Fuse	250V, 1.6A, 5mm X 20mm slow blow. Part# BK/GDC-1.6A	Operating
Wire Line Fuse	250V, 0.63A, 5mm X 20mm Slow blow. Part# BK/GDC-630MA	Operating

Table 2

I/O Terminal	Voltage Rating	Current Rating	Conditions
Log Connector	-500VDC to +500VDC	0 to 2A	Log Mode
	-500VDC to 0VDC	0 to 1.5A	Perforating Mode
Drum 1	-500VDC to +500VDC	0 to 2A	Log Mode
	-500VDC to 0VDC	0 to 1.5A	Perforating Mode
Drum 2	-500VDC to +500VDC	0 to 2A	Log Mode
	-500VDC to 0VDC	0 to 1.5A	Perforating Mode
USB Connector	USB Specification 2.0	NA	NA

Titan ControlFire® Rack Mounted Specification

2.0 ControlFire® Perforating Panel Mechanical Drawings

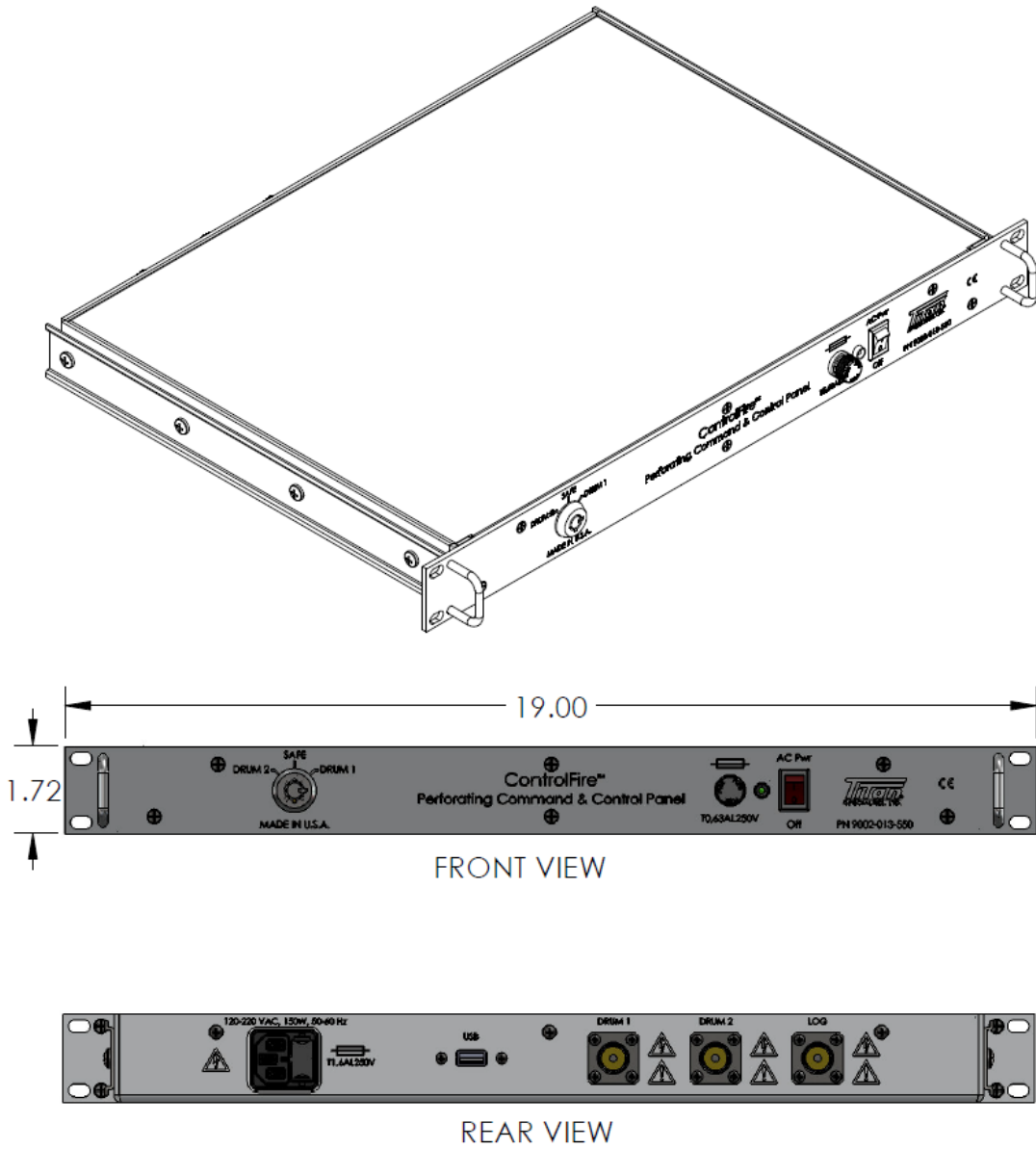


Figure 1

Titan ControlFire® Rack Mounted Specification

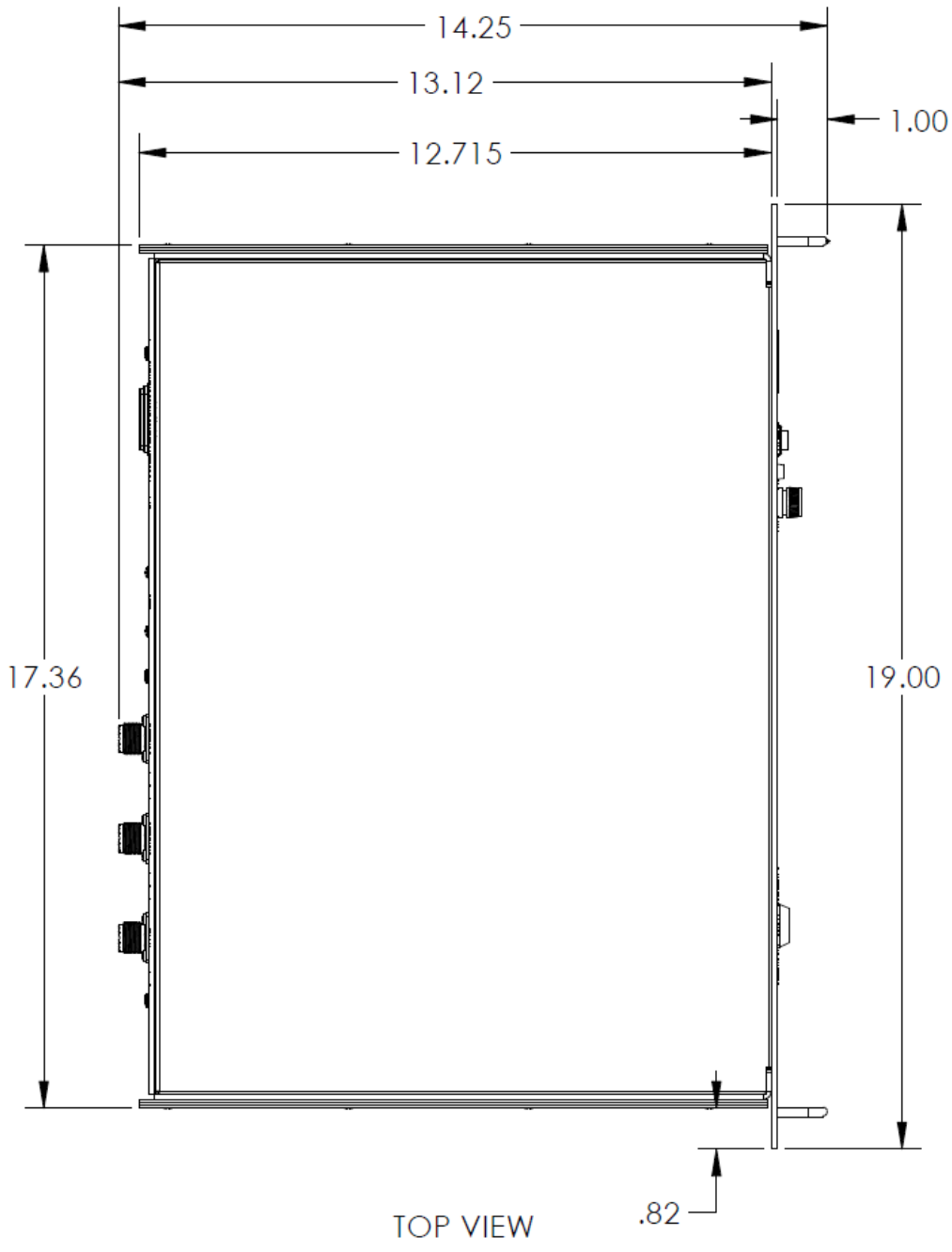


Figure 2

Titan ControlFire® Rack Mounted Specification

3.0 Wiring Diagram

