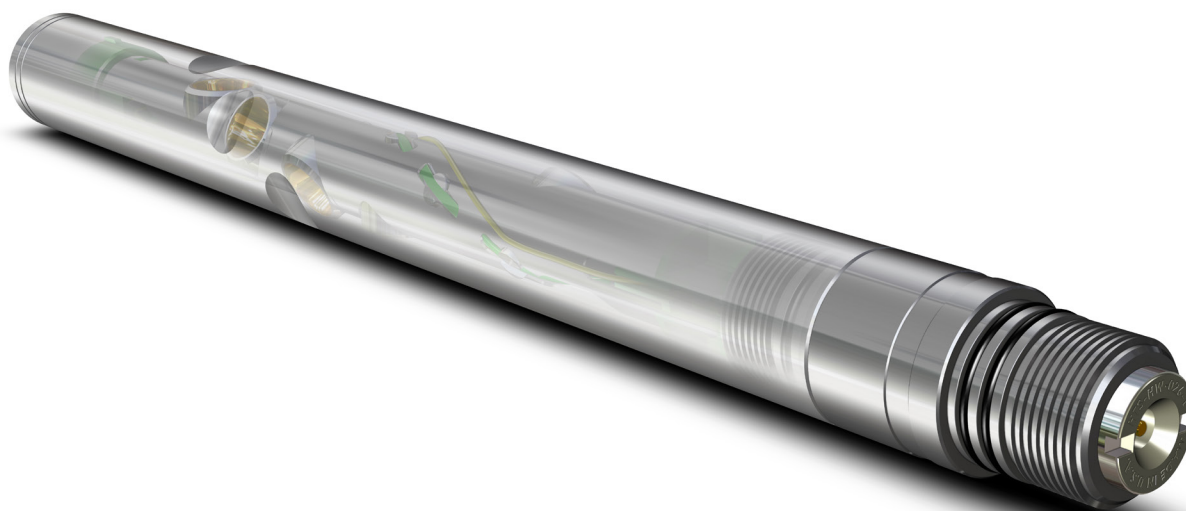


E-Gun RC™



2 inch and 2-1/2 inch
Rapid-Arming, Select-Fire
Perforating Guns

Fish Neck Top Sub
3884-250-001-OLS

Cable Head Assembly
3916-00L-0ST

2-1/2" Assembly

OTL Tungsten Sinker Bar
3884-250-20L

OTL Bottom Adapter, Extra Long
3884-250-123

E-Gun RC™ Perforating System

Hunting's 2.0" and 2.5" O.D. Efficiency Gun Recomplete System (EGun-RC) is designed specifically for recompletion perforating applications in unconventional wells. EGun-RC is a complete perforating tool string optimized for high performance through both 3.5" liner and 4.5"/5.5" casing. The EGun-RC also features 'plug & play' guns that utilize Hunting's industry leading EQUAfrac® consistent hole shaped charges and ControlFire® Cartridge technology.

Features ▶

- 2.0" and 2.5" O.D. for 3.5" tubing applications
- Modular, plug & play hardware
- Proven and reliable ControlFire Cartridge technology
- EQUAfrac consistent hole charges
- Over-the-line weight bars available

Benefits ▶

- Optimal performance through both liner and casing
- No wire connections throughout entire tool string
- 99.999% ControlFire switch reliability
- Below 7% entry hole variance through both casings

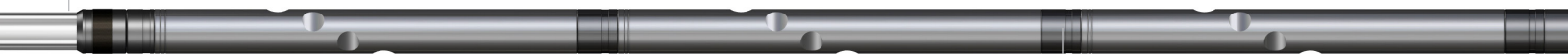
Specifications

Mechanical	Outside Diameter (in)[mm]	
	2 [52]	2-1/2 [64]
Nominal O.D. (in)[mm]	2.03 [52]	2.50 [64]
Nominal Thickness (in)[mm]	0.21 [5.3]	0.25 [6.4]
Typical Gun Swell (in)[mm] Ambient Liquid Conditions	4/0°	2.16 [55]
	6/0°	2.19 [56]
	6/60°, 6/90°, 6/120°	2.18 [55]
Min. I.D. Running Restriction (in)[mm]	2.25 [57]	2.71 [69]
Drift Gauge O.D. for Gun Body I.D. (in)[mm] using Gauge Length 12in [305]	1.58 [40]	1.98 [50]
Min. Washover Pipe Clearance: Casing Drift I.D. to Nominal Washover O.D. Washover Drift I.D. to Nominal Gun O.D.	N/A	N/A
Min. Detonating Cord Velocity (ft/s)[m/s]	22,000 [6,700]	21,000 [6,400]
Upper & Lower Head Connection	1-11/16"-8 Stub Acme	2-1/8"-8 Acme
Max. Tension (lbf) [kN]	135,000 [601]	80,000 [356]
Environmental	2 [52]	2-1/2 [64]
Pressure Rating (psi)[MPa]	4/0°	17,000 [117]
	6/0°	13,000 [90]
	6/60°, 6/90°, 6/120°	18,000 [124]
Temperature Rating (°F)[°C]*	350 [177]	350 [177]
Electrical		
Firing Capability	ControlFire®	
Maximum Voltage Rating	Forward - 550V / 15 sec Reverse - 550V / 30 sec	
Maximum Firing Current	Forward (Nominal) - 1A / 12 sec Forward (Maximum) - 1.5A - 5 sec	

*Viton O-Rings required in applications above 325°F.

Casing Collar Locator
0265-500-011

E-Gun RC™ Perforating System



Top Sub Assembly
0228-000-341A

E-Gun Assembly 6/60°
EGN-250-SHA-A010-04000
EGN-250-SHA-A010-04060

ControlFire Cartridge
DETO-SBC-A140F-T V1.8

E-Gun-RC™ Perforating Guns

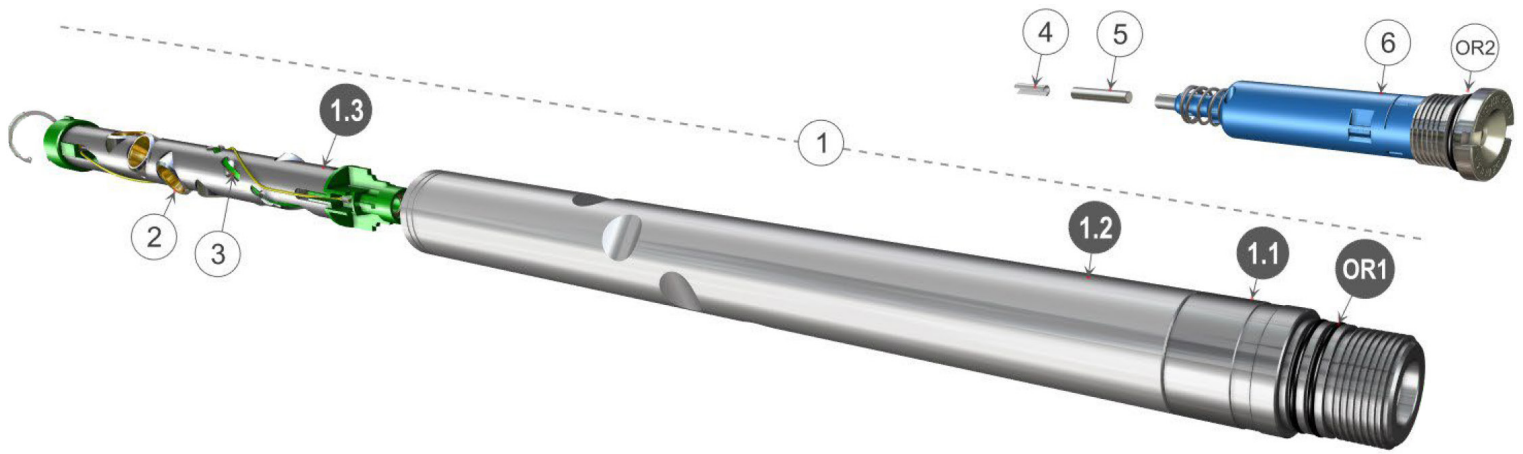
Shot Density	Shots	Phase	Part Numbers*	Make-up Length (in)[mm]	Shot Length (in)[mm]	Weight Unloaded (lb)[kg]
4 SPF	4	0°	EGN-250-SHA-A010-04000	26.25 [667]	9.00 [229]	18.0 [8]
		60°	EGN-250-SHA-A010-04060			
	9	0°	EGN-250-SHA-A020-04000	38.25 [972]	24.00 [610]	24.5 [11]
		60°	EGN-250-SHA-A020-04060			
	12	0°	EGN-250-SHA-A030-04000	50.25 [1276]	33.00 [838]	31.1 [14]
		60°	EGN-250-SHA-A030-04060			
	16	0°	EGN-250-SHA-A040-04000	62.25 [1581]	45.00 [1143]	37.6 [17]
		60°	EGN-250-SHA-A040-04060			
	20	0°	EGN-250-SHA-A050-04000	74.25 [1886]	57.00 [1148]	44.2 [20]
		60°	EGN-250-SHA-A050-04060			
	24	0°	EGN-250-SHA-A060-04000	86.25 [2191]	69.00 [1753]	50.7 [23]
		60°	EGN-250-SHA-A060-04060			
6 SPF	2	180°	EGN-250-SHA-A002-06180	18.16 [461]	2.00 [51]	13.5 [6]
	3	120°	EGN-250-SHA-A003-06120	20.25 [514]	4.00 [102]	15.1 [7]
	4	90°	EGN-250-SHA-A004-06090	22.25 [565]	6.00 [152]	16.2 [7]
	6	0°	EGN-250-SHA-A010-06000	26.25 [667]	10.00 [254]	18.3 [8]
		60°	EGN-250-SHA-A010-06060			
		90°	EGN-250-SHA-A010-06090			
		120°	EGN-250-SHA-A010-06120			
	9	90°	EGN-250-SHA-A013-06090	30.25 [768]	16.00 [406]	20.4 [9]
	12	0°	EGN-250-SHA-A020-06000	38.25 [972]	22.00 [559]	24.7 [9]
		60°	EGN-250-SHA-A020-06060			
		90°	EGN-250-SHA-A020-06090			
		120°	EGN-250-SHA-A020-06120			
	18	0°	EGN-250-SHA-A030-06000	50.25 [1276]	34.00 [864]	31.1 [14]
		60°	EGN-250-SHA-A030-06060			
		90°	EGN-250-SHA-A030-06090			
		120°	EGN-250-SHA-A030-06120			
	24	0°	EGN-250-SHA-A040-06000	62.25 [1581]	46.00 [1168]	37.5 [17]
		60°	EGN-250-SHA-A040-06060			
90°		EGN-250-SHA-A040-06090				
120°		EGN-250-SHA-A040-06120				

* "250" refers to Outside Diameter. 250 (2-1/4" O.D.) can be replaced with 200 for 2" O.D. part numbers. Refer to the EGun-RC manual for additional gun lengths and specifications.



Recomplete Shaped Charges

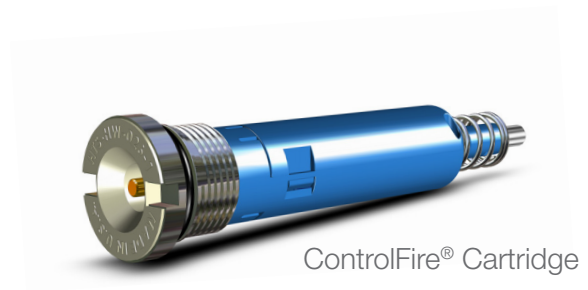
Gun O.D. (in) [mm]	Part Number	Charge Type	Wt (g)	Tested Casing	3.5" Liner, 9.2# P110			Casing			Limiting EH (Combined Liner and Casing)		
					EH AVG (in)[mm]	EH RANGE (in) [mm]	C.V.	EH AVG (in)[mm]	EH RANGE	C.V.	EH AVG (in)[mm]	EH RANGE (in)[mm]	C.V.
2-1/2 [64]	RTG-2512-372	CH	12	4.5" 13.5# P110	0.27 [6.9]	0.23-0.32 [5.8-8.1]	11.3%	0.23 [5.8]	0.21-0.26 [5.3-6.6]	9.0%	0.23 [5.8]	0.21-0.26 [5.3-6.6]	5.9%
				5.5" 20.0# P110	0.29 [7.4]	0.25-0.32 [6.4-8.1]	7.2%	0.23 [5.8]	0.20-0.26 [5.1-6.6]	7.0%	0.23 [5.8]	0.20-0.26 [5.1-6.6]	7.0%
				5.5" 23.0# P110	0.29 [7.4]	0.25-0.34 [6.4-8.6]	9.1%	0.23 [5.8]	0.21-0.26 [5.3-6.6]	5.4%	0.23 [5.8]	0.21-0.25 [5.3-6.4]	4.7%
	RTG-2512-371T	CH	12	4.5" 13.5# P110	0.30 [7.6]	0.28-0.33 [7.1-8.4]	6.7%	0.29 [7.4]	0.21-0.35 [5.3-8.9]	15.7%	0.27 [6.9]	0.21-0.33 [5.3-8.4]	12.1%
				5.5" 23.0# P110	0.31 [7.9]	0.29-0.33 [7.4-8.4]	4.5%	0.24 [6.1]	0.17-0.33 [4.3-8.4]	27.8%	0.24 [6.1]	0.17-0.31 [4.3-7.9]	25.1%
				5.5" 23.0# P110	0.38 [9.6]	0.32-0.43 [8.1-10.9]	7.8%	0.30 [7.6]	0.25-0.32 [6.4-8.1]	6.5%	0.30 [7.6]	0.25-0.32 [6.4-8.1]	6.5%
RTG-2512-373	CH	12	4.5" 11.6# P110	0.38 [9.6]	0.34-0.41 [8.6-10.4]	7.1%	0.29 [7.4]	0.26-0.33 [6.6-8.4]	6.5%	0.29 [7.4]	0.26-0.33 [6.6-8.4]	6.5%	
			5.5" 20.0# P110	0.38 [9.6]	0.37-0.41 [9.4-10.4]	3.7%	0.30 [7.6]	0.25-0.36 [6.4-9.1]	11.2%	0.30 [7.6]	0.25-0.36 [6.4-9.1]	11.2%	
			5.5" 23.0# P110	0.44 [11.2]	0.38-0.48 [9.7-12.2]	7.5%	0.38 [9.7]	0.22-0.55 [5.6-14.0]	28.8%	0.35 [8.9]	0.22-0.44 [5.6-11.2]	21.7%	
2 [51]	RTG-2107-321T	SDP	7	4.5" 11.6# P110	0.25 [6.4]	0.20-0.31 [5.1-7.9]	14.1%	0.19 [4.9]	0.13-0.27 [3.3-6.9]	22.2%	0.18 [4.6]	0.13-0.25 [3.3-6.4]	20.5%
				5.5" 20.0# P110	0.26 [6.6]	0.20-0.34 [5.1-8.6]	17.5%	0.19 [4.9]	0.14-0.26 [3.6-6.6]	20.2%	0.18 [4.6]	0.14-0.24 [3.6-6.1]	17.7%
	RTG-2106-331	GH	6.5	4.5" 11.6# P110	0.29 [7.4]	0.22-0.34 [5.6-8.6]	12.3%	0.21 [5.3]	0.17-0.29 [4.3-7.4]	18.2%	0.21 [5.3]	0.17-0.28 [4.3-7.1]	17.9%
				5.5" 20.0# P110	0.29 [7.4]	0.23-0.34 [5.8-8.6]	11.9%	0.20 [5.1]	0.16-0.29 [4.1-7.4]	21.5%	0.20 [5.1]	0.16-0.28 [4.1-7.1]	20.8%



Assembly Components

ID	Part Numbers	Description	Qty
1	EGN-250-SHA-A010-06060	E-GUN ASSEMBLY 6/60°	1
1.1	-	TANDEM	
1.2	-	CARRIER	
1.3	-	CHARGE TUBE ASSEMBLY	
1.4	0228-200-037	SNAP RING	1
2		See Hunting Shaped Charge Summary	6
3	CORD-40RDX-LS-DT	Detonating Cord 40 grain, Flat Ribbon	REF
4	JRC-100157596	Ribbon Cord Grommet	1
5	BOOSTER-HMX-600-W	Booster	1
6	DETO-SBC-A140F-T V1.8	ControlFire Cartridge	1
OR1*	0111-225-090	O-RING	2
OR2*	0111-121-090	O-RING	REF

*Viton O-Rings required in applications above 325°F.



Hardware

Description	Part No.	
	2" [52]	2-1/2" [64]
Fishing Neck Top Sub	-	3884-250-001-0LS
OTL Tungsten Sinker Bar	4025-116-00L-XX	3884-250-20L
OTL Bottom Adapter, Extra Long	-	3884-250-123
Cable Head Assembly	5946-00L-0ST	3916-00L-0ST
Casing Collar Locator	0265-500-010	0265-500-011
Top Sub Assembly	EGN-200-TOP-120	0228-000-341A
Plug Shoot Assembly	EGN-200-PSC-200	EGN-250-PSC-200
Firing Head Adapter	WST-2125-281	WST-2500-270
T-Set Setting Tool	Multi-Stage T-Set WST-2125-101	'GO' Shorty T-Set WST-2500-001

Expendable Items

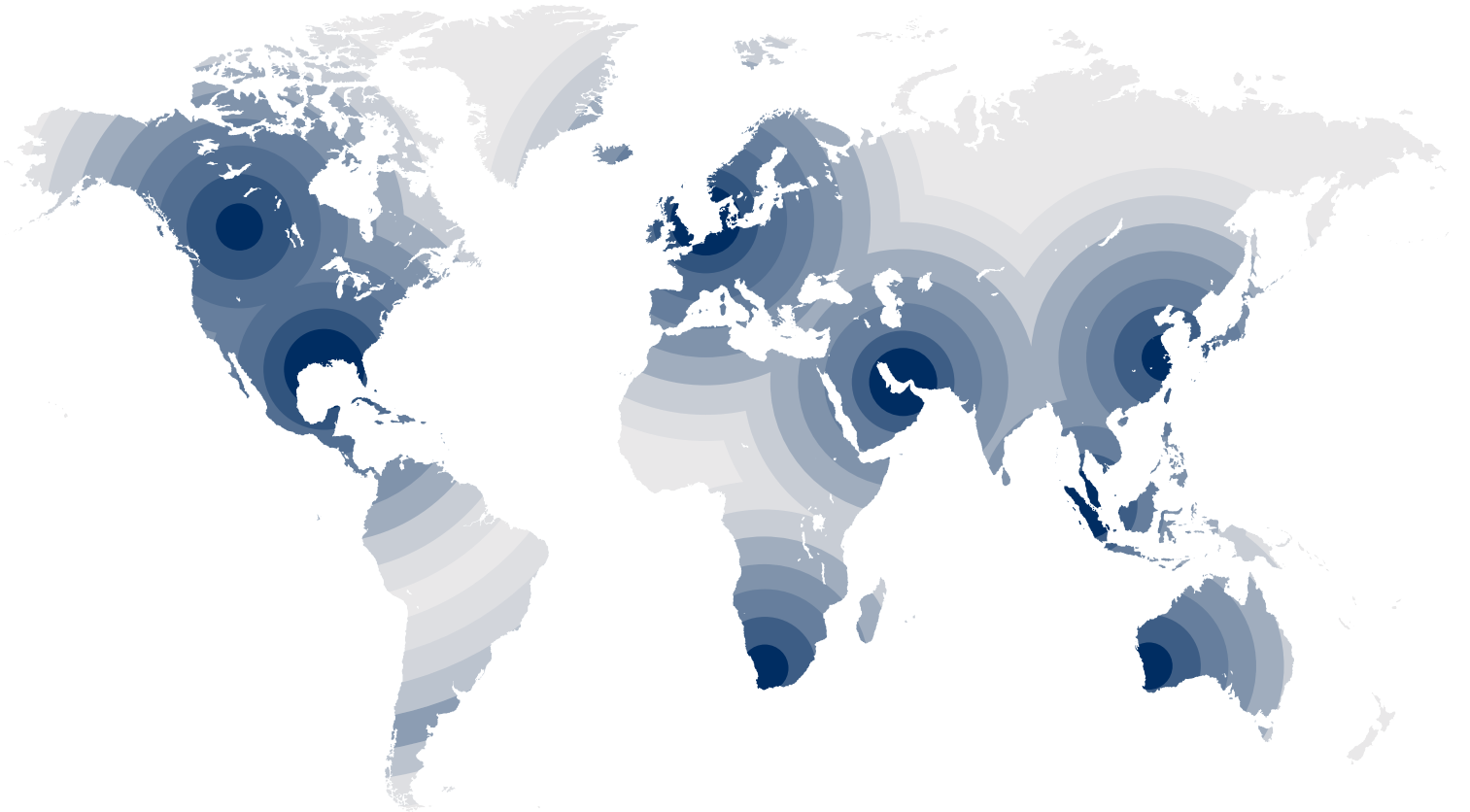
Description	Part Number
ControlFire® Initiation Cartridge	DETO-SBC-A140F-T V1.8
Plug Shoot Cartridge	HTS-PSC-000
Bi-Directional Booster; HMX	BOOSTER-HMX-600-T
Detonating Cord 40 grain, Flat Ribbon	CORD-40RDX-LS-DT
Ribbon Cord Grommet	JRC-100157596

Proprietary Technology

Hunting develops innovative technology that improves the way oil and gas are extracted, with a full range of applications below the wellhead including mud motors, premium connections, well perforating, logging and intervention tools.

Geographic Footprint

Manufacturing and distribution locations are strategically located in the key energy producing regions of the world.



Further Information

Web

www.hunting-intl.com

Email

sales.titan@hunting-intl.com

support.titan@hunting-intl.com

Global Headquarters

Hunting Energy Services Inc.
16825 Northchase Drive, Suite 600
Houston, Texas 77060-3236
USA

T. +1 281 442 7382



'Excellence in **Energy Services** for over 100 years'

© Hunting