

# Hunting Release Tool - Ballistic (HRT-B)

Titan Division | Instruments



Top Sub Assembly  
81AR-275-601

ControlFire®  
Ballistic Release  
Cartridge  
81AR-275-600

ControlFire®  
Ballistic Release  
Cartridge Sub  
81AR-275-538

Collet Sub  
81AR-275-527

Collet Assembly  
81AR-275-604

Fishing Sub  
81AR-275-603

Attenuator Sub  
Conventional ControlFire® Version  
81AR-275-605

## Compact and reliable for use in highly deviated wells

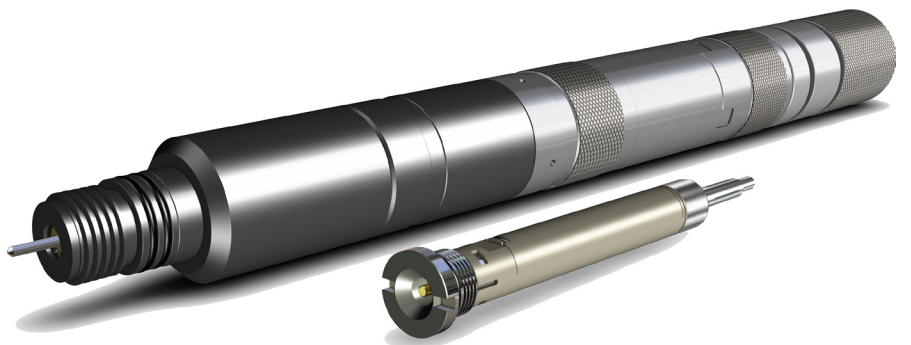
The Hunting Release Tool - Ballistic model (HRT-B) reliably disconnects the downhole tool assembly from the electric wireline in the event that the assembly becomes stuck in the wellbore. This allows for the retrieval of electric wireline. The fishing operation can use a conventional overshot to retrieve the stuck tool assembly.

### Features

- Excellent for use in high risk wells
- Safely recover equipment above the fishing sub
- Avoid wireline breaks
- ControlFire® and EBFire® switch compatible

### Benefits

- Compact tool string
- Simple redress, simple rebuild
- Controlled disconnect
- Reusable Ballistic Release Cartridge



### Competitive Edge

- Cost effective
- No detonating cord
- No shear screws
- Single tool for Controlfire® and EBFire™ Switches
- No propellant necessary
- Release is not dependant on hydrostatic pressure
- Utilizes proven, reliable RF-Safe ControlFire® Assembly

### Specifications

HRT-B Part Number	81AR-275-610
Gun System	Conventional ControlFire <sup>†</sup>
<b>Mechanical</b>	
Diameter (in) [mm]	2.75 [70]
Make-Up Length (in) [cm]	24.77 [62.92]
Weight (lb) [kg]	37 [17]
Top Connection (Pin)	1-5/8 in - 6 ACME
Bottom Connection (Box)	1-5/8 in - 6 ACME
Max Assembled Tension (lbf) [kN]	37,000 [164]
Max Pull Fishing Sub (lbf)[kN]**	120,000 [533]
<b>Environmental</b>	
Temperature Rating (°F)[°C]	350 [175]
Max Rate of Heat/Cool Range Degree/Minute (°F)[°C]	5.4 [3.0]
Pressure Rating (psi) [MPa]	20,000 [138]
Vibration (3 axis) Operational Sweep Frequency (50-1000Hz)	30 G RMS
Shock (Z Axis)	1000g, 1mS
Shock (X-Y Axis)	1000g, 1mS
<b>Electrical</b>	
Operational Voltage (VDC)	-5 to -550
Max Neg. Perforating Current	1.5 ADC for 5 sec 1 ADC for 12 sec
Firing Capability	ControlFire <sup>®</sup> and EBFire <sup>®</sup> †
Cable Type	Single Conductor

\*Use of H-1 Guns requires H-1 Attenuator Sub: 81AR-275-606 in place of the standard Attenuator Sub.

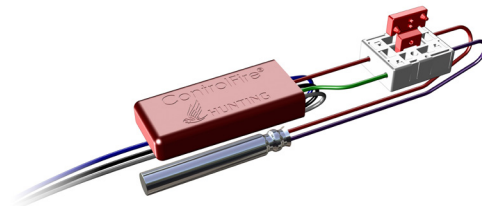
\*\*Max pull corresponds to fishing via overshoot on 2-3/4 inch body.

†Use of EBFire switches required additional EBFire Sub: 81AR-275-608-EB between Fishing Neck and Attenuator Sub. This configuration requires the EBFire Ballistic Release Cartridge 81AR-275-600-EB.

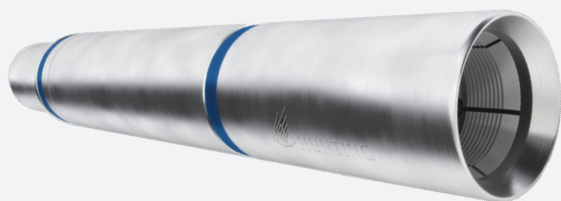
### Part Numbers

HRT-B	
81AR-275-610	Complete Tool with Conventional ControlFire Attenuator (Hand Tools Not Included)
81AR-275-610-PKG	Complete Tool in Case w/ Hand Tools, Two Extra Rebuild Kits for Each Sub., Two Complete O-ring Kits, Extra Collet, and Extra Cartridge.
81AR-275-600	ControlFire <sup>®</sup> Ballistic Release Cartridge
81AR-275-600-EB	EBFire Ballistic Release Cartridge†
81AR-275-606	H-1 <sup>®</sup> Attenuator Sub
81AR-275-607	EBFire <sup>®</sup> Sub
ControlFire <sup>®</sup>	
DETO-CFA-A140F-T V1.8	ControlFire <sup>®</sup> Switch w/ A140F Detonator
HTS-UCP-100	Cartridge Installation Tool
9002-013-810-1*	ControlFire <sup>®</sup> Shooting Power Supply
9002-013-210	VeriFire <sup>®</sup> Panel

\* The HRT-B requires an RF-Safe ControlFire Assembly with A140F Detonator (sold separately):



DETO-CFA-A140F-T V1.8

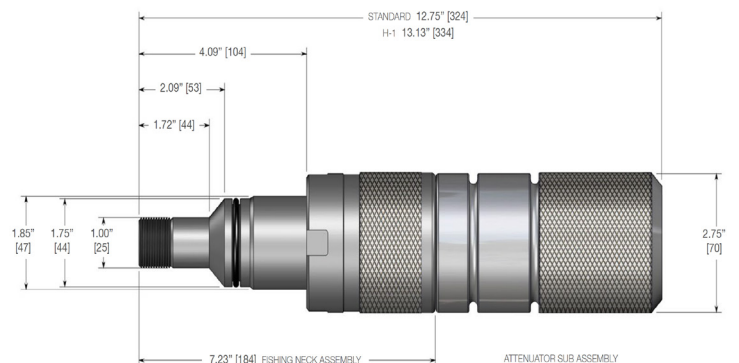


### Flow Release Overshot

For fishing the tool string left behind after a successful HRT-B release, Hunting's Well Intervention Division now offers a compatible Flow Release Overshot.

For more information, contact:

[Well.Intervention.USA@hunting-intl.com](mailto:Well.Intervention.USA@hunting-intl.com)



Fishing Sub Assembly

Flow Release Overshot			
Part Number	Qty	Description	Connection
WT-0901-3500-A04	1	3.5" inch OD Flow Release Overshot	2-3/8 in - PAC Box

Note: P/N listed is from our Well Intervention Division. | Redress Kit P/N: RD-0901-3500-A04