

## APPLICATIONS

- Dump cement or sand onto a bridge plug

## FEATURES

- Gravity activated system
- Strengthened upper window sections
- Ballistic or mechanical actuation

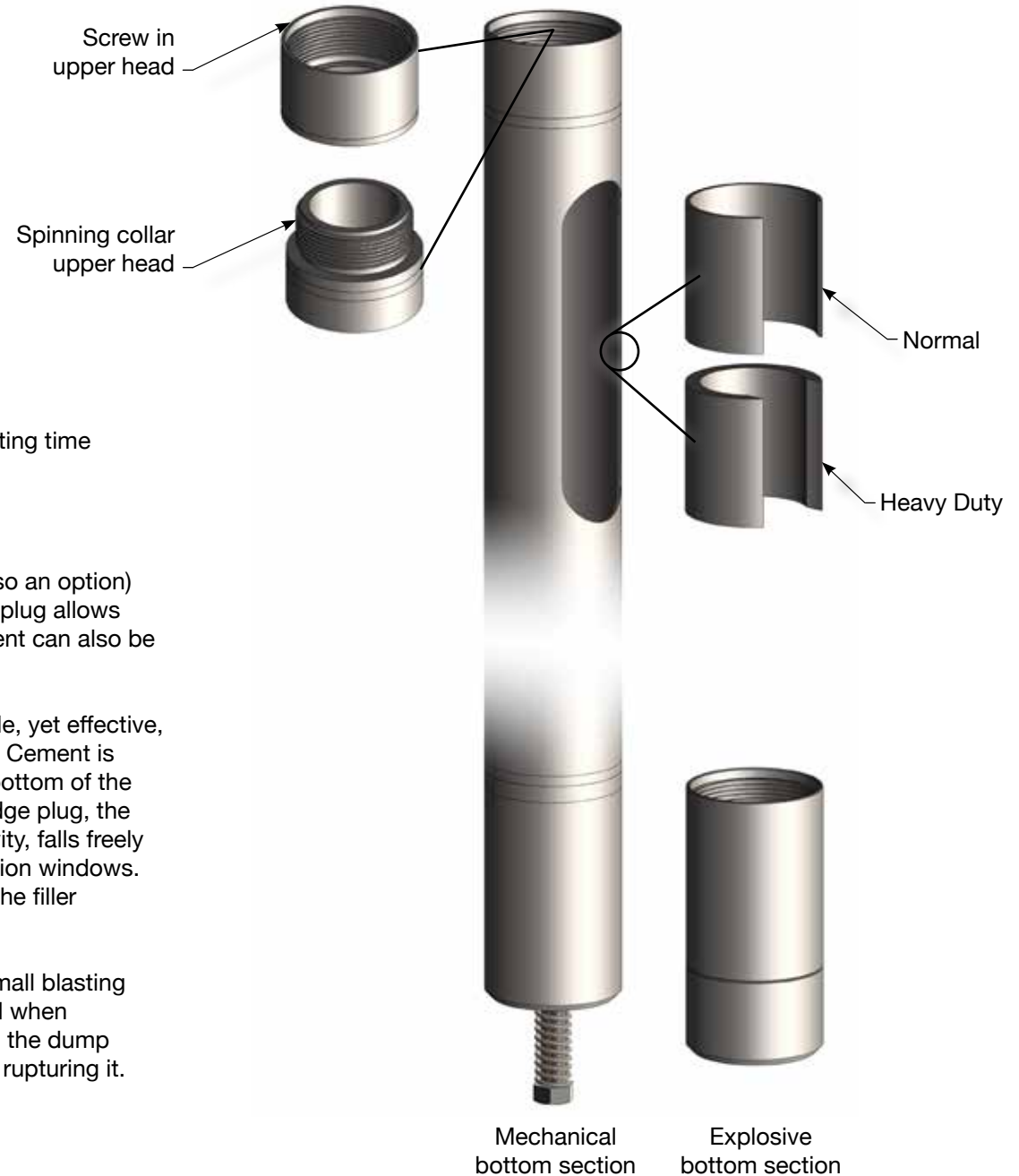
## BENEFITS

- Cost effective and low maintenance
- Explosives not always necessary
- Full toolstrings can be rigged up in one piece reducing operating time

Dump bailers are primarily used for dumping cement (sand is also an option) on pre-existing bridge plugs. Placing cement on top of a bridge plug allows for a larger pressure differential to be placed across it. The cement can also be used to plug off unwanted water producing perforations.

Hunting's dump bailers are gravity activated systems. This simple, yet effective, design is the most common type of system used in the industry. Cement is simply poured into the dump bailer. A glass rupture disc at the bottom of the chambers holds the cement inside the tool. Once above the bridge plug, the glass disc is broken and the cement, under the influence of gravity, falls freely onto the plug. Options are also available for heavy duty top section windows. These provide extra support for long dump bailer toolstrings at the filler window, which is the weakest part of the string.

Two types of activation systems are available from Hunting. A small blasting cap can be placed on top of the glass rupture disc and actuated when required. The other method uses a mechanical striker pin. When the dump bailer hits a bridge plug with force, the pin strikes the glass disc rupturing it.



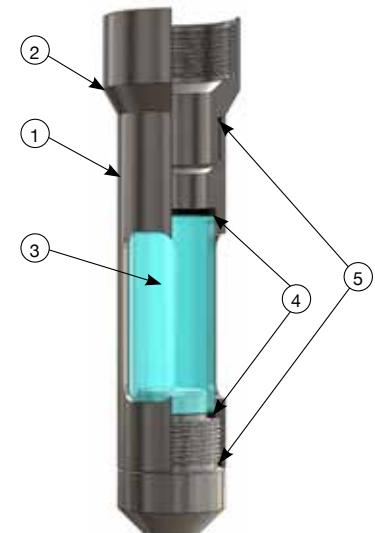
## HARDWARE SPECIFICATIONS

O.D. (in)/[mm]	Type	Component Part Number	Volume (Gal)/[L]	Length (ft)/[m]	Weight (lbm)/[kg]	Max. Tension (lbf)/[kN]	Upper Head Connection
1-3/8 [35]	10' Screw In Top Section	7109-0TS-010	0.56 [2.1]	10.27 [3.13]	12.4 [5.6]	13,000 [58]	1-3/16"-12 GO Box
	2' Screw In Heavy Duty Top Section	7109-0TS-002	0.04 [0.2]	2.00 [0.61]	4.6 [2.1]	15,000 [67]	
	5' Extension	7109-0ES-005	0.30 [1.1]	5.27 [1.61]	6.7 [3.0]	15,000 [67]	-
	10' Extension	7109-0ES-010	0.60 [2.3]	10.27 [3.13]	12.3 [5.6]	15,000 [67]	-
1-1/2 [38]	10' Screw In Top Section	7110-0TS-010	0.67 [2.5]	10.21 [3.11]	13.4 [6.1]	14,000 [62]	1-3/16"-12 GO Box
	2' Screw In Heavy Duty Top Section	7110-0TS-002	0.08 [0.3]	2.21 [0.67]	4.8 [2.2]	17,000 [76]	
	5' Extension	7110-0ES-005	0.37 [1.4]	5.27 [1.61]	7.5 [3.4]	17,000 [76]	-
	10' Extension	7110-0ES-010	0.73 [2.8]	10.27 [3.13]	13.8 [6.3]	17,000 [76]	-
1-11/16 [43]	10' Screw In Top Section	7111-0TS-010	0.88 [3.3]	10.20 [3.11]	15.1 [6.8]	15,600 [69]	1-3/16"-12 GO Box
	2' Screw In Heavy Duty Top Section	7111-0TS-002	0.10 [0.4]	2.21 [0.67]	6.4 [2.9]	18,700 [83]	
	5' Extension	7111-0ES-005	0.48 [1.8]	5.27 [1.61]	8.4 [3.8]	18,700 [83]	-
	10' Extension	7111-0ES-010	0.95 [3.6]	10.27 [3.13]	15.6 [7.1]	18,700 [83]	-
2 [51]	10' Screw In Top Section	7120-0TS-010	1.21 [4.6]	10.19 [3.11]	23.4 [10.6]	24,000 [107]	1-3/16"-12 GO Box
	2' Screw In Heavy Duty Top Section	7120-0TS-002	0.14 [0.5]	2.19 [0.67]	9.2 [4.2]	29,500 [131]	
	5' Extension	7120-0ES-005	0.68 [2.6]	5.29 [1.61]	11.9 [5.4]	29,500 [131]	-
	10' Extension	7120-0ES-010	1.34 [5.1]	10.29 [3.14]	22.0 [10.0]	29,500 [131]	-
2-1/2 [64]	10' Screw In Top Section	7125-0TS-010	1.92 [7.3]	10.19 [3.11]	34.0 [15.4]	32,900 [146]	1-3/16"-12 GO Box
	2' Screw In Heavy Duty Top Section	7125-0TS-002	0.24 [0.9]	2.22 [0.68]	11.7 [5.3]	46,000 [205]	
	5' Extension	7125-0ES-005	1.06 [4.0]	5.27 [1.61]	18.6 [8.4]	46,000 [205]	-
	10' Extension	7125-0ES-010	2.10 [7.9]	10.27 [3.13]	34.3 [15.6]	46,000 [205]	-
3 [76]	10' Spinning Collar Top Section	7130-0TS-010	2.89 [10.9]	10.16 [3.10]	38.7 [17.6]	37,300 [166]	*
	2' Spinning Collar Heavy Duty Top Section	7130-0TS-002	0.29 [1.1]	2.00 [0.61]	17.0 [7.7]	37,300 [166]	-
	5' Extension	7130-0ES-005	1.60 [6.1]	5.25 [1.60]	21.2 [9.6]	37,300 [166]	-
	10' Extension	7130-0ES-010	3.15 [11.9]	10.25 [3.12]	39.5 [17.9]	37,300 [166]	-
	10' Screw In Top Section	7130-0TS-S10	2.88 [10.9]	10.25 [3.12]	38.9 [17.6]	37,300 [166]	*
	2' Screw In Heavy Duty Top Section	7130-0TS-S02	0.29 [1.1]	2.10 [0.64]	17.0 [7.7]	37,300 [166]	-
3-1/2 [89]	10' Spinning Collar Top Section	7136-0TS-010	4.04 [15.3]	10.09 [3.08]	46.5 [21.1]	46,900 [209]	*
	2' Spinning Collar Heavy Duty Top Section	7136-0TS-002	0.39 [1.5]	2.00 [0.61]	25.0 [11.3]	71,000 [316]	-
	5' Extension	7136-0ES-005	2.21 [8.4]	5.23 [1.59]	25.7 [11.7]	71,000 [316]	-
	10' Extension	7136-0ES-010	4.38 [16.6]	10.23 [3.12]	47.2 [21.4]	71,000 [316]	-
	10' Screw In Top Section	7136-0TS-S10	3.99 [15.1]	10.23 [3.12]	46.5 [21.1]	46,900 [209]	*
	2' Screw In Heavy Duty Top Section	7136-0TS-S02	0.39 [1.5]	2.10 [0.64]	23.7 [10.8]	71,000 [316]	-
4 [102]	10' Spinning Collar Top Section	7140-0TS-010	5.40 [20.4]	10.14 [3.09]	55.1 [25.0]	57,100 [254]	*
	2' Spinning Collar Heavy Duty Top Section	7140-0TS-002	0.37 [1.4]	1.73 [0.53]	32.4 [14.7]	91,200 [406]	-
	5' Extension	7140-0ES-005	2.99 [11.3]	5.31 [1.62]	31.7 [14.4]	91,200 [406]	-
	10' Extension	7140-0ES-010	5.87 [22.2]	10.31 [3.14]	56.8 [25.8]	91,200 [406]	-
	10' Screw In Top Section	7140-0TS-S10	5.36 [20.3]	10.31 [3.14]	57.5 [26.1]	57,100 [254]	*
	2' Screw In Heavy Duty Top Section	7140-0TS-S02	0.38 [1.4]	1.83 [0.56]	32.3 [14.7]	91,200 [406]	-
5 [127]	10' Spinning Collar Top Section	7150-0TS-010	8.65 [32.7]	10.18 [3.10]	73.9 [33.5]	74,400 [331]	*
	2' Spinning Collar Heavy Duty Top Section	7150-0TS-002	0.62 [2.3]	1.71 [0.52]	44.0 [20.0]	91,200 [406]	-
	5' Extension	7150-0ES-005	4.77 [18.1]	5.34 [1.63]	43.4 [19.7]	134,000 [596]	-
	10' Extension	7150-0ES-010	9.39 [35.5]	10.34 [3.15]	74.5 [33.8]	134,000 [596]	-
	10' Screw In Top Section	7150-0TS-S10	8.61 [32.6]	10.32 [3.15]	77.3 [35.1]	74,400 [331]	*
	2' Screw In Heavy Duty Top Section	7150-0TS-S02	0.60 [2.3]	1.82 [0.55]	43.9 [19.9]	91,200 [406]	-

\* Multiple types of connection adapters available for the 3, 3-1/2, 4 and 5" dump bailers

## ADAPTERS FOR 3”(76MM) O.D. AND GREATER DUMP BAILERS

O.D. (in)[mm]	Bailer Type	Assembly Part Number	Contact Kit Part Number	Upper Head Adapter
3 [76]	Spinning Collar Upper Head	7130-000-001	7136-000-002	Spinning collar sub with 1-3/16"-12 GO Box (teardrop contact assembly)
		7130-000-018	-	Spinning collar sub with 1-3/16"-12 GO Box (no contact assembly)
		7130-000-070	7130-000-072	Spinning collar sub for 3-1/8" O.D. SIE Quick-Change assembly with acorn nut on upper head
		7130-000-090	0330-000-080	Spinning collar sub for 3-1/8" O.D. SIE Quick-Change assembly with blast plug 0330-000-080 (not included)
		7130-000-014	-	Spinning collar sub for 3/4" sucker rod pin
	Screw In Upper Head	7130-000-150	7136-000-152	3-1/8" O.D. GO style Quick-Change assembly
		7130-000-155	-	Top sub using firing head seal block 0256-000-020 (not included) for 3-1/8" O.D. GO style Quick-Change assembly
		7130-000-170	-	3-1/8" O.D. SIE Quick-Change assembly with acorn nut on upper head
3-1/2 [89] 4 [102] 5 [127]	Spinning Collar Upper Head	7136-000-001	7136-000-002	Spinning collar sub with 1-3/16"-12 GO Box (teardrop contact assembly)
		7136-000-018	-	Spinning collar sub with 1-3/16"-12 GO Box (no contact assembly)
		7136-000-070	7136-000-072	Spinning collar sub for 3-1/8" O.D. SIE Quick-Change assembly with acorn nut on upper head
		7136-000-090	0330-000-080	Spinning collar sub for 3-1/8" O.D. SIE Quick-Change assembly with blast plug 0330-000-080 (not included)
		7136-000-014	-	Spinning collar sub for 3/4" sucker rod pin
	Screw In Upper Head	7136-000-150	7136-000-152	3-1/8" O.D. GO style Quick-Change assembly
		7136-000-155	-	Top sub using firing head seal block 0256-000-020 (not included) for 3-1/8" O.D. GO style Quick-Change assembly
		7136-000-170	-	3-1/8" O.D. SIE Quick-Change assembly with acorn nut on upper head
		7136-000-101	0330-000-190	3-1/8" O.D. SIE Quick-Change assembly with blast plug assembly 0330-000-190 (not included)



P:\Marketing-Catalog\2014\_07\2015\0016

## BOTTOM SECTION PART NUMBERS

### Explosive Bottom Section

←	1	2	3	4	5	6
O.D. (in)[mm]	Cap Chamber (Optional)	Blasting Cap Weight†	Glass Disc†	O-Ring‡§	O-Ring†	Lower Spinning Collar
1-3/8 [35]	7109-000-029	7110-000-039	7109-000-028	0111-022-070	-	7109-000-027
1-1/2 [38]	7110-000-029	7110-000-039	7110-000-028	0111-024-070	-	7110-000-027
1-11/16 [43]	7111-000-029	7110-000-039	7111-000-028	0111-027-070	-	7111-000-027
2 [51]	7120-000-029	7136-000-039	7120-000-028	0111-129-070	-	7120-000-027
2-1/2 [64]	7125-000-029	7136-000-039	7125-000-028	0111-137-070	-	7125-000-027
2-3/4 [70]	7127-000-029	7136-000-039	7127-000-028	0111-141-070	-	7127-000-027
3 [76]	7130-000-129	7136-000-039	7130-000-028	0111-230-070	0111-227-070	7130-000-027
3-1/2 [89]	7136-000-129	7136-000-039	7136-000-028	0111-234-070	0111-231-070	7136-000-027
4 [102]	7140-000-129	7136-000-039	7140-000-028	0111-237-070	0111-232-070	7140-000-027
5 [127]	7150-000-029	7136-000-039	7150-000-028	0111-245-070	0111-240-070	7150-000-027

† Expendable items

§ Same o-ring part numbers used in respective bailer connections

←	1	2	3 †	4 †	5
O.D. (in)[mm]	Glass Chamber Assembly	Adapter†	Glass Tube†	Glass Seal Rings†	O-Ring
2-3/4 [70]	7127-000-050	-	7127-000-058	0111-328-070	0111-141-070
3 [76]	7127-000-050	7130-000-121	7127-000-058	0111-328-070	0111-141-070
3-1/2 [89]	7127-000-050	7136-000-121	7127-000-058	0111-328-070	0111-141-070
4 [102]	7127-000-050	7140-000-121	7127-000-058	0111-328-070	0111-141-070
5 [127]	7127-000-050	7150-000-121	7127-000-058	0111-328-070	0111-141-070

† Expendable items

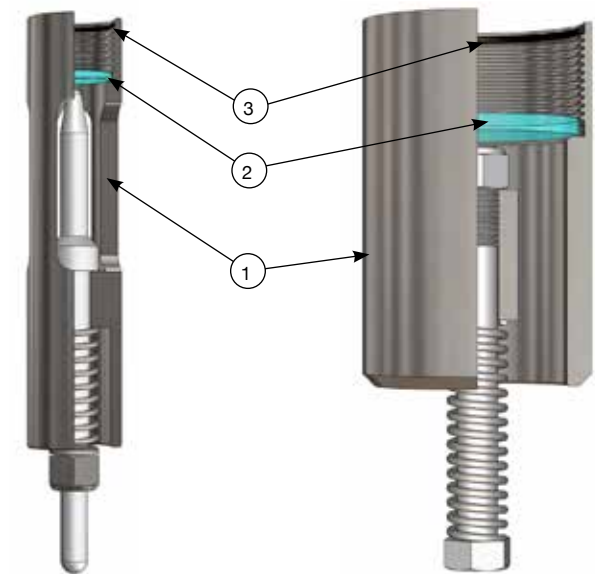
‡ Items 3 and 4 included in glass chamber assembly (item 1)

### Mechanical Bottom Section

↓	1	2	3
O.D. (in)[mm]	Glass Breaker Assembly	Glass Disc†	O-Ring†§
1-11/16 [43]	7111-000-030	7111-000-028	0111-027-070
2 [51]	7120-000-030	7120-000-028	0111-129-070
2-1/2 [64]	7125-000-030	7125-000-028	0111-137-070
2-3/4 [70]	7127-000-030	7127-000-028	0111-141-070
3 [76]	7130-000-030	7130-000-028	0111-230-070
3-1/2 [89]	7136-000-030	7136-000-028	0111-234-070
4 [102]	7140-000-030	7140-000-028	0111-237-070
5 [127]	7150-000-030	7150-000-028	0111-245-070

† Expendable items

§ Same o-ring part numbers used in respective bailer connections

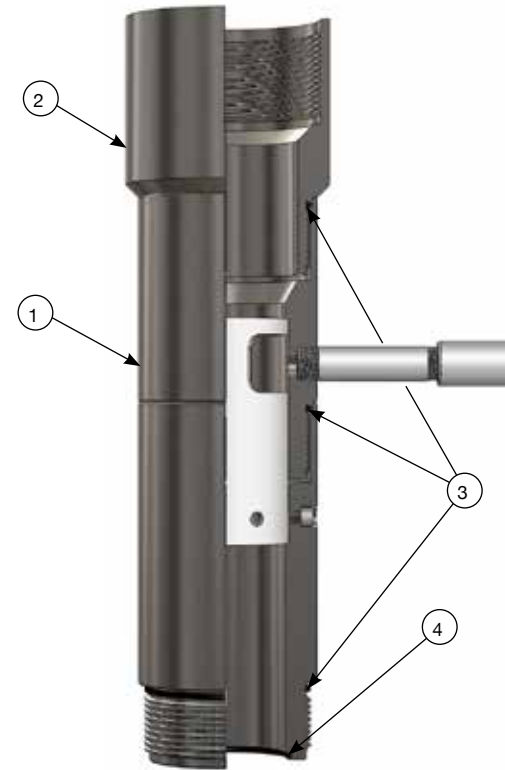


## ACCESSORIES

There may be instances where the dump bailer cannot be lowered into the hole for top filling. Filler subs are available which can be placed between the dump bailer and explosive or mechanical bottom section.

→	1	2	3	4
O.D. (in)[mm]	Filler Assembly	Adapter†	O-Ring†	O-Ring†
1-11/16 [43]	7111-000-140	-	0111-027-070	0111-211-070
2 [51]	7120-000-140	-	0111-030-070	0111-216-070
2-1/2 [64]	7120-000-140	7125-000-121	0111-030-070	0111-216-070
2-3/4 [70]	7127-000-140	-	0111-141-070	0111-225-070
3 [76]	7127-000-140	7130-000-121	0111-141-070	0111-225-070
3-1/2 [89]	7136-000-140	-	0111-234-070	0111-228-070
4 [102]	7136-000-140	7140-000-125	0111-234-070	0111-228-070
5 [127]	7136-000-140	7150-000-125	0111-234-070	0111-228-070

† Expendable items



SIE style Quick Change assembly connections, for 3" (76 mm) O.D. or greater dump bailers, utilize blasting plug assemblies. These are only required when using explosive bottom sections.

Type	Part Number	Thread
Contact nut with contact eyelet	0330-000-080	1" – UNC-2A
Contact nut with button	0330-000-180	1" – UNC-2A
Acorn nut with teardrop connector	0330-000-190	1" – UNC-2A

P:\Marketing\Catalog\2014\_07\2015\0016